



Sun Fire™ X2100 M2 Server Service Manual

Sun Microsystems, Inc.
www.sun.com

Part No. 819-6591-11
December 2006, Revision A

Submit comments about this document at: <http://www.sun.com/hwdocs/feedback>

Copyright 2006 Sun Microsystems, Inc., 4150 Network Circle, Santa Clara, California 95054, U.S.A. All rights reserved.

Sun Microsystems, Inc. has intellectual property rights relating to technology that is described in this document. In particular, and without limitation, these intellectual property rights may include one or more of the U.S. patents listed at <http://www.sun.com/patents> and one or more additional patents or pending patent applications in the U.S. and in other countries.

This document and the product to which it pertains are distributed under licenses restricting their use, copying, distribution, and decompilation. No part of the product or of this document may be reproduced in any form by any means without prior written authorization of Sun and its licensors, if any.

Third-party software, including font technology, is copyrighted and licensed from Sun suppliers.

Parts of the product may be derived from Berkeley BSD systems, licensed from the University of California. UNIX is a registered trademark in the U.S. and in other countries, exclusively licensed through X/Open Company, Ltd.

Sun, Sun Microsystems, the Sun logo, AnswerBook2, docs.sun.com, Sun Fire, and Solaris are trademarks or registered trademarks of Sun Microsystems, Inc. in the U.S. and in other countries.

All SPARC trademarks are used under license and are trademarks or registered trademarks of SPARC International, Inc. in the U.S. and in other countries. Products bearing SPARC trademarks are based upon an architecture developed by Sun Microsystems, Inc.

The OPEN LOOK and Sun™ Graphical User Interface was developed by Sun Microsystems, Inc. for its users and licensees. Sun acknowledges the pioneering efforts of Xerox in researching and developing the concept of visual or graphical user interfaces for the computer industry. Sun holds a non-exclusive license from Xerox to the Xerox Graphical User Interface, which license also covers Sun's licensees who implement OPEN LOOK GUIs and otherwise comply with Sun's written license agreements.

U.S. Government Rights—Commercial use. Government users are subject to the Sun Microsystems, Inc. standard license agreement and applicable provisions of the FAR and its supplements.

DOCUMENTATION IS PROVIDED "AS IS" AND ALL EXPRESS OR IMPLIED CONDITIONS, REPRESENTATIONS AND WARRANTIES, INCLUDING ANY IMPLIED WARRANTY OF MERCHANTABILITY, FITNESS FOR A PARTICULAR PURPOSE OR NON-INFRINGEMENT, ARE DISCLAIMED, EXCEPT TO THE EXTENT THAT SUCH DISCLAIMERS ARE HELD TO BE LEGALLY INVALID.

Copyright 2006 Sun Microsystems, Inc., 4150 Network Circle, Santa Clara, Californie 95054, Etats-Unis. Tous droits réservés.

Sun Microsystems, Inc. a les droits de propriété intellectuels relatants à la technologie qui est décrit dans ce document. En particulier, et sans la limitation, ces droits de propriété intellectuels peuvent inclure un ou plus des brevets américains énumérés à <http://www.sun.com/patents> et un ou les brevets plus supplémentaires ou les applications de brevet en attente dans les Etats-Unis et dans les autres pays.

Ce produit ou document est protégé par un copyright et distribué avec des licences qui en restreignent l'utilisation, la copie, la distribution, et la décompilation. Aucune partie de ce produit ou document ne peut être reproduite sous aucune forme, par quelque moyen que ce soit, sans l'autorisation préalable et écrite de Sun et de ses bailleurs de licence, s'il y en a.

Le logiciel détenu par des tiers, et qui comprend la technologie relative aux polices de caractères, est protégé par un copyright et licencié par des fournisseurs de Sun.

Des parties de ce produit pourront être dérivées des systèmes Berkeley BSD licenciés par l'Université de Californie. UNIX est une marque déposée aux Etats-Unis et dans d'autres pays et licenciée exclusivement par X/Open Company, Ltd.

Sun, Sun Microsystems, le logo Sun, AnswerBook2, docs.sun.com, Sun Fire, et Solaris sont des marques de fabrique ou des marques déposées de Sun Microsystems, Inc. aux Etats-Unis et dans d'autres pays.

Toutes les marques SPARC sont utilisées sous licence et sont des marques de fabrique ou des marques déposées de SPARC International, Inc. aux Etats-Unis et dans d'autres pays. Les produits portant les marques SPARC sont basés sur une architecture développée par Sun Microsystems, Inc.

L'interface d'utilisation graphique OPEN LOOK et Sun™ a été développée par Sun Microsystems, Inc. pour ses utilisateurs et licenciés. Sun reconnaît les efforts de pionniers de Xerox pour la recherche et le développement du concept des interfaces d'utilisation visuelle ou graphique pour l'industrie de l'informatique. Sun détient une licence non exclusive de Xerox sur l'interface d'utilisation graphique Xerox, cette licence couvrant également les licenciées de Sun qui mettent en place l'interface d'utilisation graphique OPEN LOOK et qui en outre se conforment aux licences écrites de Sun.

LA DOCUMENTATION EST FOURNIE "EN L'ÉTAT" ET TOUTES AUTRES CONDITIONS, DECLARATIONS ET GARANTIES EXPRESSES OU TACITES SONT FORMELLEMENT EXCLUES, DANS LA MESURE AUTORISEE PAR LA LOI APPLICABLE, Y COMPRIS NOTAMMENT TOUTE GARANTIE IMPLICITE RELATIVE A LA QUALITE MARCHANDE, A L'APTITUDE A UNE UTILISATION PARTICULIERE OU A L'ABSENCE DE CONTREFAÇON.



Please
Recycle



Adobe PostScript

Contents

Preface vii

- 1. Sun Fire X2100 M2 Server Overview 1-1**
 - 1.1 Features 1-2
 - 1.2 Operating System and Software 1-3
 - 1.2.1 Preinstalled Software 1-3
 - 1.2.2 Supported Operating Systems 1-3
 - 1.2.3 Tools and Drivers CD Software 1-4
 - 1.2.4 System Management 1-4
 - 1.3 Hardware System Overview 1-5
 - 1.3.1 Front and Back Panels 1-5
 - 1.3.2 Internal Components 1-7
 - 1.4 Powering On and Powering Off the Server 1-8
 - 1.4.1 To Apply Standby Power for Initial Service Processor Configuration 1-8
 - 1.4.2 Powering On Main Power Mode 1-9
 - 1.4.3 Shutting Down Main Power Mode 1-9
 - 1.4.4 Clearing the CMOS 1-10
 - 1.5 Customer-Orderable Components 1-10
- 2. Troubleshooting 2-1**

- 2.1 Troubleshooting Overview 2-2
- 2.2 Performing Visual Inspections 2-2
 - 2.2.1 Performing an External Visual Inspection 2-3
 - 2.2.2 Performing an Internal Visual Inspection 2-3
- 2.3 Troubleshooting Procedures 2-4

- 3. Performing Diagnostics 3-1**
 - 3.1 Pc-Check Diagnostics Overview 3-2
 - 3.1.1 Accessing the Pc-Check Diagnostics Software 3-2
 - 3.2 System Information Menu Options 3-3
 - 3.3 Advanced Diagnostics Tests Menu Options 3-4
 - 3.3.1 Testing the Hard Disk 3-6
 - 3.4 Immediate Burn-in Testing 3-7
 - 3.5 Deferred Burn-in Testing 3-9
 - 3.6 Create Diagnostic Partition Option 3-10
 - 3.6.1 Removing Existing Partitions From a Hard Disk 3-11
 - 3.6.2 Adding a Diagnostic Partition to the First Bootable Disk 3-12
 - 3.6.3 Creating a Log File on the Diagnostic Partition 3-12
 - 3.6.4 Accessing the Diagnostic Partition on a Red Hat Linux System 3-13
 - 3.6.5 Accessing the Diagnostic Partition on the Solaris 10 Operating System 3-15
 - 3.6.6 Accessing the Diagnostic Partition on the Windows Server 2003 Operating System 3-16
 - 3.7 Show Results Summary 3-17
 - 3.8 Print Results Report 3-18
 - 3.9 About Pc-Check 3-18
 - 3.10 Exit to DOS 3-19

- 4. Maintaining the Sun Fire X2100 M2 Server 4-1**

- 4.1 Tools and Supplies Needed 4-1
- 4.2 Installation Precautions 4-2
 - 4.2.1 ESD Precautions 4-2
 - 4.2.2 Preinstallation Instructions 4-2
 - 4.2.3 Postinstallation Instructions 4-3
- 4.3 Powering Off the Server and Removing the Cover 4-3
- 4.4 Locations of Server Components 4-5
- 4.5 Component Replacement Procedures 4-6
 - 4.5.1 Replacing the I/O Board 4-7
 - 4.5.1.1 Removing the I/O Board 4-7
 - 4.5.1.2 Installing the I/O Board 4-8
 - 4.5.2 Replacing the PCIe Card and Riser Assembly 4-9
 - 4.5.2.1 Removing the Riser Assembly and PCIe Card 4-9
 - 4.5.2.2 Installing the PCIe Card and Riser Card Assembly 4-10
 - 4.5.3 Replacing a Hard Disk Drive and Carrier 4-12
 - 4.5.3.1 Removing an HDD and Carrier 4-12
 - 4.5.3.2 Installing an HDD and Carrier 4-13
 - 4.5.4 Installing a LSI PCIe Card and Cables 4-14
 - 4.5.4.1 Installing the LSI Card to Support SAS Hard Drive Installation 4-14
 - 4.5.4.2 Installing the LSI Card to Support SATA RAID 4-17
 - 4.5.5 Removing and Installing an ODD Drive Assembly 4-19
 - 4.5.5.1 Removing an ODD Drive Assembly 4-20
 - 4.5.5.2 Installing the ODD Drive Assembly 4-21
 - 4.5.6 Replacing an Air Duct 4-22
 - 4.5.6.1 Removing the Air Duct 4-22
 - 4.5.6.2 Installing the Air Duct 4-23
 - 4.5.7 Replacing the Power Supply 4-24

- 4.5.7.1 Removing a Power Supply 4-24
- 4.5.7.2 Installing a Power Supply 4-25
- 4.5.8 Replacing the Single Fan 4-26
 - 4.5.8.1 Removing the Fan 4-26
 - 4.5.8.2 Installing the Fan 4-27
- 4.5.9 Replacing the Dual Blower Module 4-28
 - 4.5.9.1 Removing the Dual Blower Module 4-29
 - 4.5.9.2 Installing the Dual Blower Module 4-29
- 4.5.10 Replacing Memory Modules 4-31
 - 4.5.10.1 DIMM Population Rules 4-31
 - 4.5.10.2 Removing a DIMM 4-31
 - 4.5.10.3 Installing a DIMM 4-33
- 4.5.11 Replacing the System Battery 4-35
 - 4.5.11.1 Removing the System Battery 4-35
 - 4.5.11.2 Installing the System Battery 4-37
- 4.5.12 Replacing a CPU and Heatsink 4-38
 - 4.5.12.1 Removing a CPU and Heatsink 4-38
 - 4.5.12.2 Installing a CPU and Heatsink 4-40
- 4.5.13 Replacing Cables 4-43
- 4.5.14 Replacing the Motherboard 4-44
 - 4.5.14.1 Removing the Motherboard 4-45
 - 4.5.14.2 Installing the Motherboard 4-46

A. System Specifications A-1

B. Using the Tools and Drivers CD B-1

C. Installing the Server Into a Rack With Optional Slide Rails C-1

Preface

The *Sun Fire X2100 M2 Server Service Manual* provides a detailed description of the hardware and software applications that support the Sun Fire X2100 M2 Server. This book is intended for system administrators, network administrators, and service technicians who have an understanding of server hardware and software.

How This Book Is Organized

[Chapter 1](#) provides an overview of the Sun Fire X2100 M2 Server.

[Chapter 2](#) contains information about troubleshooting the server.

[Chapter 3](#) provides information about diagnostics.

[Chapter 4](#) describes how to remove and replace components.

[Appendix A](#) contains information on system specifications.

[Appendix B](#) provides information on using the Sun Fire X2100 M2 Server Tools and Drivers CD.

[Appendix C](#) describes how to instructions on install the server into a rack with optional slide rails.

Typographic Conventions

Typeface ¹	Meaning	Examples
AaBbCc123	The names of commands, files, and directories; onscreen computer output	Edit your <code>.login</code> file. Use <code>ls -a</code> to list all files. % You have mail.
AaBbCc123	What you type, when contrasted with onscreen computer output	% su Password:
<i>AaBbCc123</i>	Book titles, new words or terms, words to be emphasized. Replace command-line variables with real names or values.	Read Chapter 6 in the <i>User's Guide</i> . These are called <i>class</i> options. You <i>must</i> be superuser to do this. To delete a file, type <code>rm filename</code> .

¹ The settings on your browser might differ from these settings.

Related Documentation

For a description of the document set for the Sun Fire X2100 M2 server, see the *Where To Find Documentation* sheet that is packed with your system and also posted at the product's documentation site. See the following URL:

<http://www.sun.com/documentation>

Translated versions of some of these documents are available at the web site described above in French, Simplified Chinese, Traditional Chinese, Korean, and Japanese. English documentation is revised more frequently and might be more up-to-date than the translated documentation.

For all Sun hardware documentation, see the following URL:

<http://www.sun.com/documentation>

For Solaris and other software documentation, see the following URL:

<http://docs.sun.com>

Documentation, Support, and Training

Sun Function	URL	Description
Documentation	http://www.sun.com/documentation/	Download PDF and HTML documents, and order printed documents.
Support and training	http://www.sun.com/support/ http://www.sun.com/training/	Obtain technical support, download patches, and learn about Sun courses.

Third-Party Web Sites

Sun is not responsible for the availability of third-party web sites mentioned in this document. Sun does not endorse and is not responsible or liable for any content, advertising, products, or other materials that are available on or through such sites or resources. Sun will not be responsible or liable for any actual or alleged damage or loss caused by or in connection with the use of or reliance on any such content, goods, or services that are available on or through such sites or resources.

Warranty

For specific details regarding your warranty, visit:

<http://www.sun.com/service/support/warranty/index.html>

Sun Welcomes Your Comments

Sun is interested in improving its documentation and welcomes your comments and suggestions. You can submit your comments by going to:

<http://www.sun.com/hwdocs/feedback/>

Please include the title and part number of your document with your feedback. The part number of this *Sun Fire X2100 M2 Server Service Manual* is 819-6591-11.

Sun Fire X2100 M2 Server Overview

This chapter provides an overview of the Sun Fire X2100 M2 server, as well as power-on and power-off procedures and information about installing components.

The following sections are included in this chapter:

- [Section 1.1, “Features” on page 1-2](#)
- [Section 1.2, “Operating System and Software” on page 1-3](#)
- [Section 1.3, “Hardware System Overview” on page 1-5](#)
- [Section 1.4, “Powering On and Powering Off the Server” on page 1-8](#)
- [Section 1.5, “Customer-Orderable Components” on page 1-10](#)

1.1 Features

TABLE 1-1 lists the system's key components.

TABLE 1-1 Sun Fire X2100 M2 Server Features

Component	Description
CPU	<ul style="list-style-type: none">• One dual-core AMD Opteron 1000 series processor• Processor frequencies: 1.8 GHz and faster• Up to 1 MB level 2 cache
Memory	<ul style="list-style-type: none">• Four DIMM slots• Each DIMM socket on board supports 512 MB, 1 GB, or 2 GB unbuffered DDR2 DIMM modules.• Up to 8 GB total memory supported
Media storage	Optional DVD-ROM or DVD-RW
Hard disk drives	Up to two SATA or SAS 3.5-inch optional disk drives with NVIDIA and LSI RAID supported (LSI PCIe card needed)
Power supply	345W PSU
Network I/O	Four 10/100/1000BASE-T Gigabit Ethernet ports
PCI I/O	Optional PCI-Express (PCIe) riser card with two 8-lane slots, supporting low profile, half length PCIe cards up to 25W
Other I/O	<ul style="list-style-type: none">• Four USB 2.0 connectors on the back panel and two on the front panel• Onboard 2D/3D graphics controller with HD15 connector• One serial RS232 port with DB9 connector
System management	Onboard IPMI 2.0 compliant service processor with Embedded Lights Out Manager

1.2 Operating System and Software

This section describes the operating system and additional software that is supported for the Sun Fire X2100 M2 server.

1.2.1 Preinstalled Software

If you ordered a hard drive with your Sun Fire X2100 M2 server, the hard drive might have the Solaris™ 10 6/06 Operating System with Java™ Enterprise System (Java ES) installed, as well as Sun™ Studio 11 developer software.

For information on configuring the preinstalled Solaris 10 OS for the Sun Fire X2100 M2 server, refer to the *Sun Fire X2100 M2 Server Installation Guide*, 819-6589.

For further information on the Solaris 10 OS, see the Solaris 10 OS documentation at:

<http://docs.sun.com>

1.2.2 Supported Operating Systems

The following operating systems (or later versions) are supported for the Sun Fire X2100 M2 server:

- Solaris 10 Operating System (6/06 or later version) with Sun Java Enterprise System (Java ES)
- Red Hat Enterprise Linux 3 (Update 7 or later) 32- and 64-bit (ES and AS)
- Red Hat Enterprise Linux 4 (Update 3 or later) 32- and 64-bit (ES and AS)
- SUSE Linux Enterprise System 9, (SP 3 or later) 64-bit (SUSE-certified)
- SUSE Linux Enterprise System 10
- Windows 2003 (SP 1 or later) 32- and 64-bit Standard Server (WHQL-certified)

See the *Sun Fire X2100 M2 Operating System Installation Guide*, 819-6592, and the product-specific documentation for instructions on installing these operating systems.

If you want to run Red Hat Enterprise Linux 3 or 4 or SUSE Linux Enterprise System 9 on the Sun Fire X2100 M2 server, you can order it from the from the following web site:

<http://www.sun.com/software/linux/index.html>

Support for additional operating systems will be available after the initial release of the Sun Fire X2100 M2 servers. Go to the following URL for information about the operating systems currently supported:

<http://sun.com/servers/entry/x2100/>

After installing the operating system, refer to the *Sun Fire X2100 M2 Server Operating Server Installation Guide*, 819-6592, for further information on updates and drivers that need to be installed.

1.2.3 Tools and Drivers CD Software

The Sun Fire X2100 M2 Server Tools and Drivers CD, included with the server, contains drivers for operating system installation, LSI and NVIDIA RAID drivers, BIOS/BMC flash utilities, diagnostics software, Windows Remote Installation Service (RIS) files, and Broadcom NetXtreme software.

For more information on using the Tools and Drivers CD software, see [Appendix B](#).

1.2.4 System Management

An IPMI 2.0-compatible service processor with Embedded Lights Out Manager (LOM) is integrated onto the Sun Fire X2100 M2 server motherboard. See the *Embedded Lights Out Manager Administration Guide*, 819-6588, for more information on system management.

1.3 Hardware System Overview

The following sections describe the hardware orientation and features of your Sun Fire X2100 M2 server.

1.3.1 Front and Back Panels

FIGURE 1-1 shows the front panel of the Sun Fire X2100 M2 server.

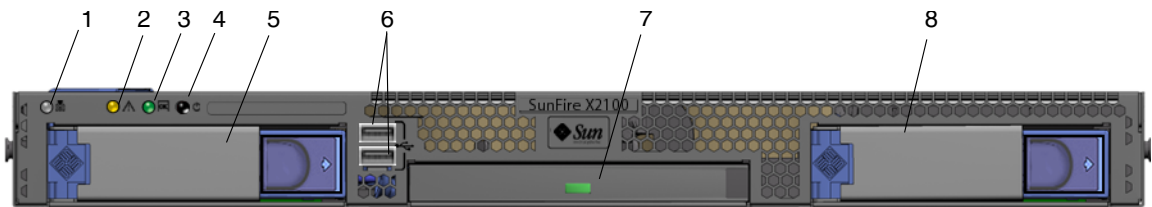


FIGURE 1-1 Front Panel

TABLE 1-2 Front Panel

Label	Button/LED/Port	Label	Button/LED/port
1	System identification button/LED	5	Optional hard disk drive 0
2	Fault LED	6	USB 2.0 connectors (2)
3	Power LED	7	Optional DVD drive
4	Power button	8	Optional hard disk drive 1

FIGURE 1-2 shows the back panel of the Sun Fire X2100 M2 server.

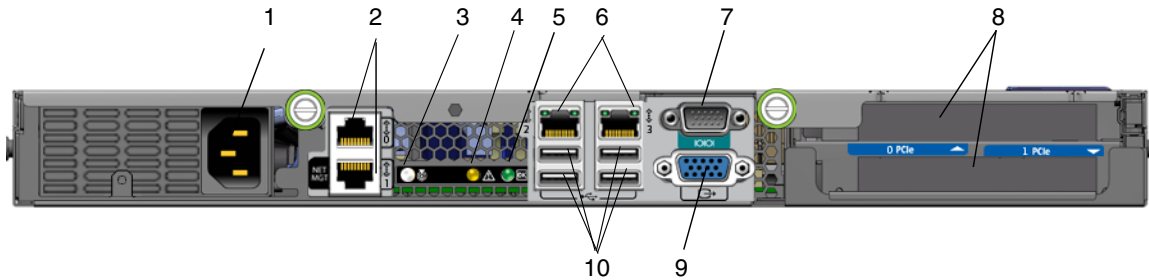


FIGURE 1-2 Back Panel

TABLE 1-3 Back Panel

Label	Connector/Slot	Label	Connector/Slot
1	Power connector	6	NVIDIA Ethernet connectors (LAN-2 left, LAN-3 right)
2	Broadcom Ethernet connectors (LAN-0 top, LAN-1 NET MGT bottom)	7	Serial management/DB9 RS-232 serial port
3	System identification LED	8	PCI-Express slots
4	Fault LED	9	Onboard HD15 video connector
5	Power LED	10	USB 2.0 connectors (4)

1.3.2 Internal Components

FIGURE 1-3 shows the locations of the components inside the Sun Fire X2100 M2 server.

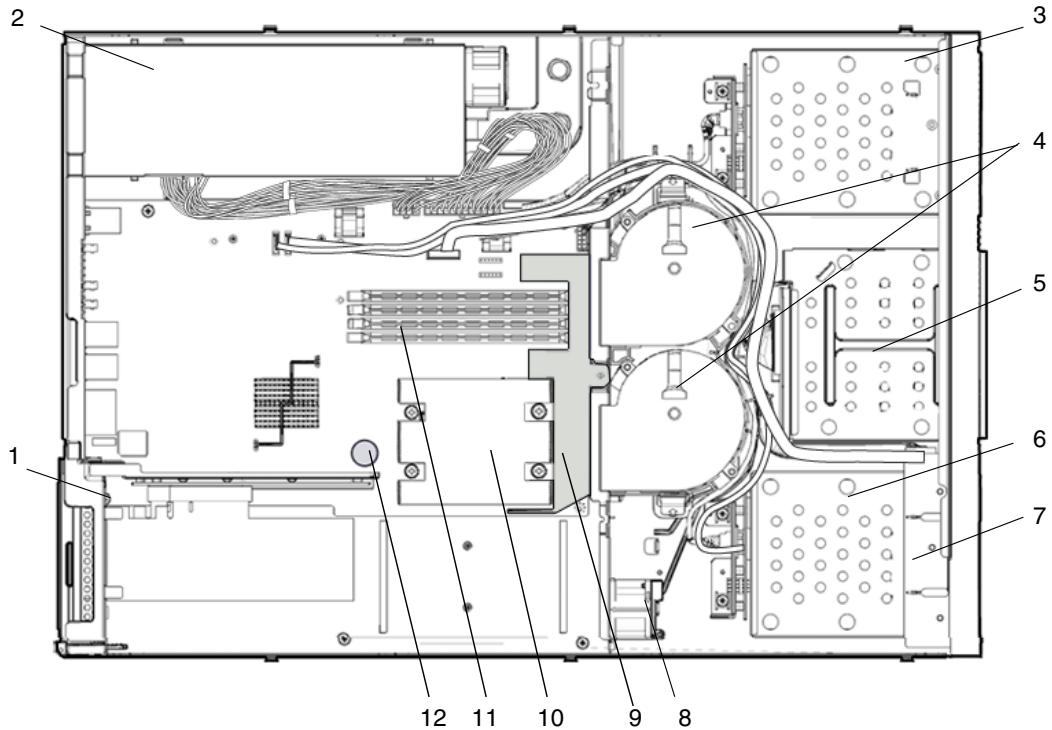


FIGURE 1-3 Sun Fire X2100 M2 Server System Components

TABLE 1-4 Sun Fire X2100 M2 Server Internal Components

Label	Component	Label	Component
1	PCI-Express riser and cards	7	I/O board
2	Power supply	8	Single fan module
3	Optional hard drive 1	9	Air duct
4	Dual blower module	10	CPU/heatsink
5	Optional DVD drive	11	DIMM slots (4)
6	Optional hard drive 0	12	Battery

1.4 Powering On and Powering Off the Server

You have to apply only standby power to the server at this point so that you can perform initial configuration of the service processor. Procedures for powering on to main power mode and for shutting down from main power mode are also included in this section.

1.4.1 To Apply Standby Power for Initial Service Processor Configuration

Use this procedure to apply standby power to the service processor (SP) before initial configuration.



Caution – Do not operate the server without all fans, component heatsinks, air baffles, and the cover installed. Severe damage to server components can occur if operated without adequate cooling mechanisms.

1. **Connect grounded AC power cord to the AC power connector on the back panel of the server and to grounded AC power outlets.**

Note – At this point, standby power is supplied only to the service processor and power supply fans. You can proceed to Chapter 2 of this guide to begin initial configuration. Do not apply main power to the rest of the server until you are ready to install a platform operating system.

2. **Continue with initial software setup tasks, as described in *Sun Fire X2100 M2 Server Installation Guide*.**

1.4.2 Powering On Main Power Mode

- **To power on main power for all server components:**
 - a. **Verify that the power cord has been connected and that standby power is on.**
In standby power mode, the Power/OK LED on the front panel flashes. See [FIGURE 1-1](#).
 - b. **Use a ballpoint pen or stylus to press and release the recessed Power button on the server front panel.**
When main power is applied to the full server, the Power/OK LED next to the Power button lights and remains lit.

1.4.3 Shutting Down Main Power Mode

- **To power off the server from main power mode, use one of the following two methods:**
 - **Graceful shutdown:** Use a ballpoint pen or stylus to press and release the Power button on the front panel. This causes Advanced Configuration and Power Interface (ACPI) enabled operating systems to perform an orderly shutdown of the operating system. Servers not running ACPI-enabled operating systems will shut down to standby power mode immediately.
 - **Emergency shutdown:** Press and hold the Power button for four seconds to force the main power off and enter standby power mode. When the main power is off, the Power/OK LED on the front panel will begin flashing, indicating that the server is in standby power mode.



Caution – To completely power off the server, you must disconnect the AC power cords from the back panel of the server.

1.4.4 Clearing the CMOS

You can use this procedure to clear the server's CMOS settings in the case of a system hang.

For example, if the server hangs because of incorrect settings and will not boot, use this procedure to invalidate the settings and reboot with the default settings.

- 1. Remove the AC power cord.**

See [FIGURE 1-2](#) for the location of the power cord connection.

- 2. Remove the battery for 30 seconds, then reinsert it.**

See Chapter 4 for instructions on removing and replacing the battery.

- 3. Reinsert the AC power cord.**

1.5 Customer-Orderable Components

You can order additional components and replacement parts for the Leo server.

Contact your local Sun sales representative for more information. For the most up-to-date component information, see the components list on one of the following web sites:

http://sunsolve.sun.com/handbook_pub/Systems/

Troubleshooting

This chapter contains information on troubleshooting procedures and technical support contacts.

The following sections are included in this chapter:

- [Section 2.1, “Troubleshooting Overview” on page 2-2](#)
- [Section 2.2, “Performing Visual Inspections” on page 2-2](#)
- [Section 2.3, “Troubleshooting Procedures” on page 2-4](#)

2.1 Troubleshooting Overview

Before troubleshooting your specific server problem, answer the following questions:

- What events occurred prior to the failure?
- Was any hardware or software modified or installed?
- Was the server recently installed or moved?
- How long has the server exhibited symptoms?
- What is the duration or frequency of the problem?

After you have assessed the problem and noted your current configuration and environment, you can choose from several ways to troubleshoot your server:

- Visually inspect your system as described in [Section 2.2, “Performing Visual Inspections”](#) on page 2-2.
- View the troubleshooting procedures in [Section 2.3, “Troubleshooting Procedures”](#) on page 2-4 to see if any of them solve the problem.
- Execute a diagnostics test as described in [Chapter 3](#).

2.2 Performing Visual Inspections

Improperly set controls and loose or improperly connected cables are common causes of problems with hardware components. When investigating a system problem, first check all the external switches, controls, and cable connections. See [Section 2.2.1, “Performing an External Visual Inspection”](#) on page 2-3.

If this does not resolve your problem, then visually inspect the system’s interior hardware for problems, such as a loose card, cable connector, or mounting screw. See [Section 2.2.2, “Performing an Internal Visual Inspection”](#) on page 2-3.

2.2.1 Performing an External Visual Inspection

1. Turn off the system and any attached peripherals (if applicable).
2. Verify that all power cables are properly connected to the system, the monitor, and the peripherals, and check their power sources.
3. Inspect connections to any attached devices, including network cables, keyboard, monitor, and mouse, as well as any devices attached to the serial port.

2.2.2 Performing an Internal Visual Inspection

1. Shut down the operating system, if necessary.
2. Disconnect the power cord from the back of the system.
3. Turn off any attached peripherals.
4. Remove the server cover, following the procedures in [Section 4.2, “Installation Precautions”](#) on page 4-2.



Caution – Some components, such as the heatsink, can become extremely hot during system operations. Allow these components to cool before handling them.

5. Verify that the components are fully seated in their sockets or connectors and that the sockets are clean.
6. Verify that all cables inside the system are firmly attached to their appropriate connectors.
7. Replace the top cover.
8. Reconnect the system and any attached peripherals to their power sources, and then power them on.

2.3 Troubleshooting Procedures

[TABLE 2-1](#) lists problems that might arise as you use your server. Possible solutions are listed for each problem. If the solutions listed here do not fix the problem, run the appropriate diagnostic test (see [Chapter 3](#)).

TABLE 2-1 Troubleshooting Procedures

Problem	Possible solution
Server does not power on when you press the front panel power button.	Keep notes on the following situations in case you need to call for service: <ul style="list-style-type: none">• Is the power LED illuminated on the front of the system? (Ensure that the power cord is connected to the system and to a grounded power receptacle.)• Does the wall outlet have power? Test by connecting another device.• Does the monitor sync within 5 minutes after power on? (The green LED on the monitor stops flashing and remains illuminated.)
Server powers on, but the monitor does not.	<ul style="list-style-type: none">• Is the Power button for the monitor turned on?• Is the monitor power cord connected to a wall outlet?• Does the wall outlet have power? Test by connecting another device.
CD or DVD does not eject from the media tray when you press the Eject button.	<ul style="list-style-type: none">• Move the mouse or press any key on the keyboard. The drive might be in the low-power mode.• Use the utility software installed on your server to eject the CD.
Server does not power off when the front panel power button is pressed.	<ul style="list-style-type: none">• Try all of the power-off options shown in Section 1.4.3, “Shutting Down Main Power Mode” on page 1-9.• If the server still does not power off, disconnect the power cable from the rear of the chassis.
The network status indicator does not light up.	<ul style="list-style-type: none">• Check the cabling and network equipment to make sure that all cables are correctly seated.• Reinstall the network drivers.
An external device connected to a USB connector does not work.	<ul style="list-style-type: none">• Reduce the number of external devices connected to a USB hub.• Refer to the documentation that comes with the device.

TABLE 2-1 Troubleshooting Procedures (Continued)

Problem	Possible solution
System cannot read the hard disk information.	<p>Do the following:</p> <ol style="list-style-type: none"> 1. Turn off the server by pressing the Power button. 2. Remove the top cover. 3. Check to make sure that the power and data cables are connected to the disk drive and that the pins in the cable and connector are not bent. 4. Check to make sure that the drives are cabled properly for the hard drive format. See Chapter 4 for information on hard drive cabling for SAS and SATA formats. 5. Replace the top cover. 6. Turn on the server.
System cannot read the CD information.	<p>Check the following:</p> <ul style="list-style-type: none"> • Are you using the correct type of CD? • Is the CD properly inserted into the drive? • Is the CD clean and unscratched? • Are the cables connected to the DVD-ROM drive?
Keyboard or mouse does not respond to action.	<ul style="list-style-type: none"> • Verify that the mouse and keyboard cables are connected to the on-board USB 2.0 connectors on the server. • Verify that the server is powered on and that the front power LED is illuminated.
Server appears to be in low-power mode, but the Power button LED does not blink.	<p>The power-indicator LED only blinks when all server components are in low-power mode. A tape drive might be connected to your server. Because tape drives do not enter low-power mode, the power-indicator LED does not blink.</p>
Hung or frozen server: No response from mouse or keyboard or any application.	<p>Try to access your system from a different server on the network:</p> <ol style="list-style-type: none"> 7. On another system, type ping <i>IP_address_of_X2100</i> 8. If a response is returned, then try logging in to the Sun Fire X2100 M2 server using either telnet, ssh, or rlogin. 9. If you successfully log in, list the running processes using the ps command. 10. Stop any processes that look unresponsive or should not be running, by using the kill <i>process_ID</i> command. 11. Check the responsiveness of the Sun Fire X2100 M2 server after each process is stopped. <p>If the above procedure does not work, power cycle the server:</p> <ol style="list-style-type: none"> 1. Press the Power button to power off the server and wait 20-30 seconds. 2. Press the Power button again to power the system back on.

TABLE 2-1 Troubleshooting Procedures (*Continued*)

Problem	Possible solution
No video is displayed on the monitor screen.	<p>Check the following:</p> <ul style="list-style-type: none">• Is the cable connected to the video connector?• Does the monitor work when connected to another system?• If you have another monitor, does it work when connected to the original system?• If, after POST and BIOS complete, you no longer see video output on your monitor and only see a flashing cursor, check the configuration of the operating system to determine if it is configured to redirect its output exclusively over the serial line.
External device is not working.	<ul style="list-style-type: none">• Check the documentation that came with the device to see if any device drivers must be installed.• Ensure that the cables for the external device are firmly connected and that the pins in the cable and connector are not bent.• Power off the system, reattach the external device, and power on the system.
Newly installed memory is not detected.	<ul style="list-style-type: none">• Make sure that the memory is properly seated on the DIMM sockets.• Move the memory to the other DIMM socket to determine whether the socket is defective.• Make sure that you are using 512 MB, 1 GB, or 2 GB registered DDR2 modules with 3.05 cm max. height.

Performing Diagnostics

This chapter assists you with using the Diagnostics application on the Sun Fire X2100 M2 Server Tools and Drivers CD that is packaged with your system.

Diagnostic output is accessible on systems that are running supported Linux or Solaris operating systems. If you are having specific problems with your system, use the Pc-Check Diagnostics software to diagnose and resolve these issues.

The following sections are included in this chapter:

- [Section 3.1, “Pc-Check Diagnostics Overview” on page 3-2](#)
- [Section 3.2, “System Information Menu Options” on page 3-3](#)
- [Section 3.3, “Advanced Diagnostics Tests Menu Options” on page 3-4](#)
- [Section 3.4, “Immediate Burn-in Testing” on page 3-7](#)
- [Section 3.5, “Deferred Burn-in Testing” on page 3-9](#)
- [Section 3.6, “Create Diagnostic Partition Option” on page 3-10](#)
- [Section 3.7, “Show Results Summary” on page 3-17](#)
- [Section 3.8, “Print Results Report” on page 3-18](#)
- [Section 3.9, “About Pc-Check” on page 3-18](#)
- [Section 3.10, “Exit to DOS” on page 3-19](#)

3.1 Pc-Check Diagnostics Overview

Sun Fire X2100 M2 server diagnostics are contained in the DOS-based Pc-Check utility. This program can be accessed and executed only from the Sun Fire X2100 M2 Server Tools and Drivers CD. Pc-Check was designed to detect and test all motherboard components, ports, and slots.

If you encounter any hardware-related error message (such as memory errors or hard disk errors) on your Sun Fire X2100 M2 server, run one of the following:

- Advanced Diagnostics Test: A specific hardware component test
- Immediate Burn-in Test: A Sun Fire X2100 M2 server diagnostic test script

The following procedure describes how to access these test options from the Sun Fire X2100 M2 Server Tools and Drivers CD.

3.1.1 Accessing the Pc-Check Diagnostics Software

1. **Do one of the following, depending on which method you are using to access the Pc-Check diagnostics software:**

- *If your server has a DVD drive installed:* Insert the Sun Fire X2100 M2 Server Tools and Drivers CD into your DVD drive and reboot the system.
- *If you are running the Pc-Check software from a PXE server:* Follow the instructions in [Appendix C](#) to set up the PXE server.

The system boots to the Sun Fire X2100 M2 Server Tools and Drivers CD main menu.

2. **Type 1 to run the hardware diagnostics software.**

The system information loads, the Diagnostics main menu opens, and the following menu options are displayed:

- System Information Menu
- Advanced Diagnostics Tests
- Immediate Burn-in Testing
- Deferred Burn-in Testing
- Create Diagnostic Partition
- Show Results Summary
- Print Results Report
- About PC-CHECK
- Exit to DOS

To run a specific hardware component test, select "Advanced Diagnostics Test." To run one of the test scripts supplied by Sun, select "Immediate Burn-in Testing."

Navigate through the menu items by pressing the arrow keys located on the keyboard to move to a menu selection, the Enter key to select a menu selection, and the ESC key to exit a menu. Navigation instructions are shown at the bottom of each screen.

The following sections in this chapter describe the menu items and tests in detail.

3.2 System Information Menu Options

TABLE 3-1 describes each option in the System Information menu.

TABLE 3-1 System Information Menu Options

Option	Description
System Overview	Includes basic information about your system, motherboard, BIOS, processor, memory cache, drives, video, modem, network, buses, and ports.
Hardware ID Image Menu	Enables you to create a document showing information about your system, including comparisons between the updates and the newest versions of your system. XML is the format used to create and display this information, though you can also choose a text format (.txt) as well.
System Management Information	Provides information obtained from the system about the BIOS type, system, motherboard, enclosure, processors, memory modules, cache, slots, system event log, memory array, memory devices, memory device mapped addresses, and system boot.
PCI Bus Information	Includes details about specific devices from <code>pci-config</code> space within the system, similar to the System Management Information section.
IDE Bus Information	Shows the master/slave devices on the primary and secondary IDE controllers.
PCMCIA/CardBus Info	Not relevant to the Sun Fire X2100 M2 server.
Interrupt Vectors	Lists and details device interrupt vector information.
IRQ Information	Shows hardware interrupt assignments.
Device Drivers	Shows device drivers loaded under Open DOS.

TABLE 3-1 System Information Menu Options *(Continued)*

Option	Description
APM Information	Tests the Advanced Power Management (APM) capabilities of the system. You can choose to change the power state, view the power status, indicate CPU usage, get a PM event, or change the interface mode.
I/O Port Browser	Shows the I/O port assignment for the hardware devices on the system.
Memory Browser	Enables you to view the mapped memory for the entire system.
Sector Browser	Reads sector information from the hard disks and DVD disks sector by sector.
CPU Frequency Monitor	Tests the processor speed.
CMOS RAM Utilities	Shows the CMOS settings of the system.
SCSI Utilities	Not applicable for the Sun Fire X2100 M2 server.
Text File Editor	Opens a file editor.
Start-Up Options	Enables you to set up options for diagnostics testing.

3.3 Advanced Diagnostics Tests Menu Options

[TABLE 3-2](#) gives the name and a brief description of each option in the Advanced Diagnostics Tests menu.

TABLE 3-2 Advanced Diagnostics Tests Menu Options

Option	Description
Processor	Details information about the processor, and includes a Processor Tests menu to test the processor on the system.
Memory	Details information about the memory, and includes a Memory Tests menu to test the memory on the system. Also lists each type of memory in the system, such as system, cache, or video memory.
Motherboard	Details information about the motherboard, and includes a Motherboard Tests menu to test the motherboard on the system.

TABLE 3-2 Advanced Diagnostics Tests Menu Options (*Continued*)

Option	Description
Diskettes	Not relevant to Sun Fire X2100 M2 server.
Hard Disks	Details information about the hard disk, and includes a Hard Disk Tests menu to test hard disks on the system. Refer to Section 3.3.1, “Testing the Hard Disk” on page 3-6 , for detailed information about testing hard disks and script information.
CD-ROM/DVD	Includes a CD-ROM/DVD menu to test DVD devices on the system.
ATAPI Devices	Details information about devices attached to the IDE controllers on the system other than a DVD or hard disks (for example, zip drives).
Serial Ports	Details information about the serial port, and includes a Serial Ports Tests menu to test serial ports on the system.
Parallel Ports	Not applicable for the Sun Fire X2100 M2 server.
Modems	Not applicable for the Sun Fire X2100 M2 server.
ATA	Includes an ATA test menu.
USB	Details information about the USB devices on the system, and includes a USB Tests menu to test the USB.
FireWire	Not applicable for the Sun Fire X2100 M2 server.
Network	Performs network register controller tests.
Keyboard	Includes a Keyboard Test menu with options for performing different tests on the keyboard.
Mouse	Details information about the mouse, and includes a menu to test the mouse on the system.
Joystick	Not applicable for the Sun Fire X2100 M2 server.
Audio	Not applicable for the Sun Fire X2100 M2 server.
Video	Details information about the video card. Initially, the monitor might flicker, but then it brings up a Video Test Options menu that enables you to perform various video tests.
Printers	Printers are not available for the Sun Fire X2100 M2 server.
Firmware - ACPI	Details information about Advanced Configurable Power Interface (ACPI), and includes an ACPI Tests menu to test ACPI.

3.3.1 Testing the Hard Disk

1. From the main menu, choose **Advanced Diagnostics Tests**.
2. From the **Advanced Diagnostics** menu, choose **Hard Disks**.
3. From the **Select Drive** menu, choose the hard disk you are testing.

The Hard Disk Diagnostics window opens, showing both the information for the hard disk you have selected and the Hard Disk Tests menu.

The Hard Disk Tests menu displays the following options:

- Select Drive
- Test Settings
- Read Test
- Read Verify Test
- Non-Destructive Write Test
- Destructive Write Test
- Mechanics Stress Test
- Internal Cache Test
- View Error Log
- Utilities Menu
- Exit

The Media Test options include the Read Test, the Read Verify Test, the Non-Destructive Write Test, and the Destructive Write Test. These tests are relevant to testing the media associated with the hard drive hardware, such as the physical disk.



Caution – Running the Destructive Write Test destroys any data that is on the disk.

The Device Test options include the Mechanics Stress Test and the Internal Cache Test. These tests are relevant to testing non-media-related devices associated with the hard drive hardware, such as the head and internal cache.

In addition to choosing any of these tests, you can also define several parameters of the test.

You can change the parameters within the Test Settings option. Your options within Test Settings include the following:

- **Media Test Settings**

Enables you to select the test time duration, the percentage of the hard disk to test, and the sectors to be tested on the hard disk.

- **Device Test Settings**

Enables you to select the test time durations of the devices and the test level.

- **Number of Retries**

Enables you to select the number of times to retry testing a device before terminating the test.

- **Maximum Errors**

Enables you to select the number of errors allowed before terminating the test.

- **Check SMART First**

SMART stands for Smart Monitoring Analysis Reporting Test.

- **HPA Protection**

HPA stands for Host Protected Area.

- **Exit**

3.4 Immediate Burn-in Testing

The Immediate Burn-In Testing option enables you to run burn-in test scripts on your server. Three scripts have already been created for testing your system:

- `quick.tst` – This script performs a high-level test of all hardware components, including those components that require user input, as well as a more in-depth memory test. The user must interact with the Pc-Check software to progress through these interactive tests. The tests cannot be run unattended and do not contain any "timeout" facilities. The interactive tests will wait until the user provides the correct input.
- `noinput.tst` – This script is used as a first triage of any hardware-related problems or issues. The script performs a high-level test of most hardware components, excluding those components that require user input (keyboard, mouse, sound, video). This test does not require user input.
- `full.tst` – This script performs the most detailed and comprehensive test on all hardware components, including those components that require user input. This script contains a more in-depth memory test than `quick.tst`, as well as external port tests (which may require loopback connectors). The user must interact with the test utility to progress through these interactive tests.

Tip – Each of these scripts tests the operating status of your entire system. If you want to test only a certain percentage of your system's hard drives, refer to [Section 3.3.1, "Testing the Hard Disk"](#) on page 3-6 to change the test options.

When you select the Immediate Burn-in Testing menu option, the Continuous Burn-in Testing window is displayed. The screen includes the list of options shown in [TABLE 3-3](#) for running the tests. When a `quick.tst`, `noinput.tst`, or `full.tst` script is loaded, the defaults indicated in the third column are automatically loaded.

TABLE 3-3 Continuous Burn-in Testing Options

Option	Default – General	Default Using quick.tst, noinput.tst, or full.tst Script	All Possible Choices
Pass Control	Overall Time	Overall Passes	Individual Passes, Overall Passes, or Overall Time
Duration	01:00	1	Any number to designates the time duration of the test
Script File	N/A	quick.tst, noinput.tst, or full.tst	quick.tst, noinput.tst, or full.tst
Report File	None	None	User-defined
Journal File	None	D:\noinput.jrl, D:\quick.jrl, or D:\full.jrl	User-defined
Journal Options	Failed Tests	All Tests, Absent Devices, and Test Summary	Failed Tests, All Tests, Absent Devices, and Test Summary
Pause on Error	N	N	Y or N
Screen Display	Control Panel	Control Panel	Control Panel or Running Tests
POST Card	N	N	Y or N
Beep Codes	N	N	Y or N
Maximum Fails	Disabled	Disabled	1-9999

To load one of the scripts available to test the devices on your system, do the following:

- **From the main menu, choose Immediate Burn-in Testing.**

The top portion of the window lists the options described in [TABLE 3-3](#), and the bottom portion of the window lists the following Burn-in menu options:

- **Load Burn-in Script**

Enter one of the following:

- **quick.tst**, **noinput.tst**, or **full.tst**
- If you have created and saved your own script, enter **d:\testname.tst**

Where *testname* is the name of the script that you have created.

- **Save Burn-in Script**

To save a burn-in script that you have created, enter **d:\testname.tst**

Where *testname* is the name of the script that you have created.

- **Change Options**

Opens the Burn-in Options menu, which enables you to modify the various options listed in [TABLE 3-3](#) for the currently loaded test script.

- **Select Tests**

Opens a listing of the tests available for your server configuration and the currently loaded test script.

- **Perform Burn-in Tests**

Runs the currently loaded burn-in test script.

3.5 Deferred Burn-in Testing

You can use the Deferred Burn-in Testing option to create and save your own scripts to run at a later time.

- **From the main menu, choose Deferred Burn-in Testing.**

The top portion of the window lists the options described in [TABLE 3-3](#), and the bottom portion of the window lists the following Burn-in menu options:

- **Load Burn-in Script**

Enter one of the following:

- **quick.tst**, **noinput.tst**, or **full.tst**
- If you have created and saved your own script, enter **d:\testname.tst**

Where *testname* is the name that you have created.

- **Save Burn-in Script**

To save a burn-in script that you have created, enter `d:\testname.tst`

Where *testname* is the name of the script that you have created.

- **Change Options**

Opens the Burn-in Options menu, which enables you to modify the various options listed in [TABLE 3-3](#) for the currently loaded test script.

- **Select Tests**

Opens a listing of all the possible types of tests available for you to run for the currently loaded test script.

3.6 Create Diagnostic Partition Option

The diagnostic partition is preinstalled on the Sun Fire X2100 M2 server. You need to reinstall the diagnostic partition only if you have reformatted your hard drive. Using the Erase Primary Boot Hard Disk utility on the Sun Fire X2100 M2 Server Tools and Drivers CD preserves the diagnostic partition.

The Create Diagnostic Partition option installs a diagnostic partition on the first bootable disk seen by the Sun Fire X2100 M2 server. The first bootable disk is on the primary/master SATA device.

Note – If you are running the Pc-Check Diagnostics software from a PXE server, you do not need to follow the instructions in these procedures for inserting the Tools and Drivers CD into the DVD tray.

The following sections explain how to create and access the diagnostic partition on the Sun Fire X2100 M2 server:

- [Section 3.6.1, “Removing Existing Partitions From a Hard Disk” on page 3-11](#)
- [Section 3.6.2, “Adding a Diagnostic Partition to the First Bootable Disk” on page 3-12](#)
- [Section 3.6.3, “Creating a Log File on the Diagnostic Partition” on page 3-12](#)
- [Section 3.6.4, “Accessing the Diagnostic Partition on a Red Hat Linux System” on page 3-13](#)
- [Section 3.6.5, “Accessing the Diagnostic Partition on the Solaris 10 Operating System” on page 3-15](#)
- [Section 3.6.6, “Accessing the Diagnostic Partition on the Windows Server 2003 Operating System” on page 3-16](#)

3.6.1 Removing Existing Partitions From a Hard Disk

The Create Diagnostic Partition option creates a diagnostic partition on a hard disk only if that hard disk is completely free of any partitions. You need to delete any existing partitions from a hard disk if you plan to use the hard disk to create a diagnostic partition on it.



Caution – Removing all hard disk partitions destroys all data on the disk.

There are two ways to remove existing partitions from the hard disk:

- Use the Erase Primary Boot Hard Disk utility (Option 3 on the Tools and Drivers CD main menu).
- Use the following procedure:

1. Insert the Tools and Drivers CD into the DVD tray.
2. Reboot the server.
3. From the Tools and Drivers CD main menu, type **4** to exit to DOS.
4. Type **fdisk** at the command prompt, and press the Enter key.
5. Type **4** to select an alternate fixed disk.

The second hard disk as seen from `fdisk` is the first bootable disk of the system. The first hard disk as seen from `fdisk` is the bootable Tools and Drivers CD.



Caution – When performing the following tests, be careful not to delete any operating system partitions that you want to keep. Removing hard disk partitions destroys all data on the disk.

6. Type **2** to delete the DOS partition.
7. Type **1** or **2** depending on the type of partition you want to delete.
8. Type the number of the partition you want to delete.
9. Type **Y** to erase the data and the partition.
10. Repeat [Step 6](#) through [Step 9](#) until all partitions have been deleted.
11. Press the Esc key to exit, and press any key to reboot the server.

3.6.2 Adding a Diagnostic Partition to the First Bootable Disk

Pc-Check can view only the first or second hard disk on the system from the boot loader. The software automatically installs the diagnostic partition on the first bootable disk.

To add the diagnostic partition on the first bootable disk:

1. **Insert the Tools and Drivers CD into the DVD tray.**
2. **Reboot the server.**
3. **At the Tools and Drivers CD main menu, type 1 to run Hardware Diagnostics.**
4. **From the main menu, choose Create Diagnostic Partition.**
 - If the first bootable disk is clear of partitions, the Sun Microsystems Partitioning Utility window appears. It states: "Your primary hard disk is not partitioned. Would you like to partition it now?"
 - **Select Yes and press Enter.**

A window appears, stating, "Partitioning complete. Your machine will now be restarted."
 - If the first bootable disk is not clear of partitions, a window appears stating that the software is unable to create a hardware diagnostic partition because there are already partitions on the disk.
 - **If this happens, go to [Section 3.6.1, "Removing Existing Partitions From a Hard Disk"](#) on page 3-11 to remove the partitions from the disk.**
 - **Repeat [Step 1](#) through [Step 4](#) of this procedure.**
5. **Press Enter to reboot your server.**

3.6.3 Creating a Log File on the Diagnostic Partition

All the scripts that are loadable with the hardware diagnostics software are predefined, with logging to the diagnostic partition enabled. The names of log files correspond to the name of the script. For example, a script named `noinput.tst` creates a log file named `noinput.jrl`.

The following procedure shows an example of how to create and access a log file on the diagnostic partition for the `noinput.tst` script.

1. **Insert the Tools and Drivers CD into the DVD tray.**
2. **Reboot the server.**

3. From the Tools and Drivers CD main menu, choose 1 to run Hardware Diagnostics.
4. From the Hardware Diagnostics main menu, choose Immediate Burn-In Testing.
5. Select Load Burn-in Script.
6. Type `noinput.tst` and press Enter.
If you are using a test you have created yourself, you need to enter `d:\testname.tst` into the Load Burn-in Script field, where *testname* is the name of the test you have created.
7. Select Perform Burn-in Tests to run the script.
8. When the tests are complete, press the Esc key to exit the Display Results window.
9. Select Exit to DOS and press Enter.
10. At the DOS prompt, type the following:

```
C:> d:
```

11. Type the following to list the contents of the diagnostic partition.:

```
D:> dir
```

The `noinput.jrl` log is displayed.

3.6.4 Accessing the Diagnostic Partition on a Red Hat Linux System

To access the diagnostic partition on a Red Hat Linux operating system:

1. Remove the Tools and Drivers CD from the DVD tray.
2. Reboot the server and start the Red Hat Linux operating system.
3. Log in as root (superuser).

4. Determine if your diagnostic partition has been configured to be mounted by typing the following command:

```
# ls /diagpart
```

- If this command fails to list the log files created by the hardware diagnostics software, then the operating system has never been configured to mount the diagnostic partition. Continue to [Step 5](#).
 - If this command succeeds in listing the log files created by the hardware diagnostics software, then the operating system has already been configured to mount the diagnostic partition. All users have read access to this partition. Only the superuser has read/write access to this partition. You do not need to continue this procedure.
5. Insert the Tools and Drivers CD into the DVD tray.
 6. When the CD is mounted, open a terminal window.
 7. Type the following command:

```
# cd mountpoint/drivers/linux/linux_version
```

Where *mountpoint* is the CD mountpoint and *linux_version* is the version of Linux that you have installed. For example:

```
# cd /mnt/cdrom/drivers/linux/red_hat
```

8. Type the following to install the diagnostic partition:

```
# ./install.sh
```

9. Press Enter.

The following lines appear if the diagnostic partition is mounted successfully:

```
Mounting Diagnostic Partition
Installation Successful
```


10. Type the following command:

```
# ls /diagpart
```

The contents of the diagnostic partition are listed.

3.6.5 Accessing the Diagnostic Partition on the Solaris 10 Operating System

To access the diagnostic partition on a system running the Solaris 10 Operating System:

1. Remove the Tools and Drivers CD from the DVD tray.
2. Reboot the machine and start the Solaris 10 Operating System.
3. Log in as root (superuser).
4. Type the following command to determine if your diagnostic partition has been configured to be mounted:

```
# ls /diagpart
```

- If this command fails to list the log files created by the hardware diagnostics software then the operating system has never been configured to mount the diagnostic partition. Continue to [Step 5](#).
 - If this command succeeds in listing the log files created by the hardware diagnostics software, then the operating system has already been configured to mount the diagnostic partition. All users have read access to this partition. Only the superuser has read/write access to this partition. You do not need to continue this procedure.
5. Insert the Tools and Drivers CD into the DVD tray.
 6. When the CD is mounted, open a terminal window.
 7. Type the following:

```
# cd /cdrom/cdrom0/drivers/sx86
```

8. Type the following to install the diagnostic partition:

```
# ./install.sh
```

9. Press the Enter key.

The following lines appear if the diagnostic partition is mounted successfully:

```
Mounting Diagnostic Partition  
Installing Successful
```

10. Type the following command to list the contents of the diagnostic partition:

```
# ls /diagpart
```

3.6.6 Accessing the Diagnostic Partition on the Windows Server 2003 Operating System

The Windows 2003 Server operating system does not allow you to mount a diagnostic partition. There is no way to view or gain access to the diagnostic partition if you are running Windows 2003 on a Sun Fire X2100 M2 server.

The only way to retrieve the contents (log files) on the diagnostic partition is to attach a USB diskette drive to the Sun Fire X2100 M2 server and complete the following procedure.

1. Connect the USB diskette drive to any USB port on the Sun Fire X2100 M2 server.
2. Insert the Tools and Drivers CD into the DVD tray.
3. Reboot the server.
4. At the Tools and Drivers CD main menu, type 3 to exit to DOS.
5. Type the following at the DOS command prompt:

```
C:> d:
```

6. Copy the log file to the diskette.

For example, to copy a file named `noinput.jrl` to the diskette, type:

```
D:> copy d:\noinput.jrl a:\
```

The journal file is now saved to the diskette in the USB diskette drive.

3.7 Show Results Summary

The summary lists the tests run and shows the results. Pass, Fail, or N/A is listed for each option.

The following is a complete listing of all options that are available with the Tools and Drivers CD. If your own system does not have all of these options, they might not be listed when the Show Results Summary is displayed.

■ Processor

This section shows the following tests conducted against the processor: Core Processor Tests, AMD 64-Bit Core Tests, Math Co-Processor Tests – Pentium Class FDIV and Pentium Class FIST, MMX Operation, 3DNow! Operation, SSE Instruction Set, SSE2 Instruction Set, and MP Symmetry.

■ Motherboard

This section shows the following tests conducted against the motherboard: DMA Controller Tests, System Timer Tests, Interrupt Test, Keyboard Controller Tests, PCI Bus Tests, and CMOS RAM/Clock Tests.

■ Memory, Cache Memory, and Video Memory

This section shows the following tests conducted against the various types of memory: Inversion Test Tree, Progressive Inv. Test, Chaotic Addressing Test, and Block Rotation Test.

■ Input Device

This section shows the following tests conducted against the input device: Verify Device, Keyboard Repeat, and Keyboard LEDs.

■ Mouse

This section shows the following tests conducted against the mouse: Buttons, Ballistics, Text Mode Positioning, Text Mode Area Redefine, Graphics Mode Positions, Graphics Area Redefine, and Graphics Cursor Redefine.

■ Video

This section shows the following tests conducted against the video: Color Purity Test, True Color Test, Alignment Test, LCD Test, and Test Cord Test.

- **Multimedia**

This section shows the following tests conducted against the multimedia components: Internal Speaker Test, FM Synthesizer Test, PCM Sample Test, CD/DVD Drive Read Test, CD/DVD Transfer (KB/Sec), CD/DVD Transfer Rating, CD/DVD Drive Seek Test, CD/DVD Seek Time (ms), CD/DVD Test Disk Read, and CD/DVD Tray Test.

- **ATAPI Devices**

This section shows the following tests conducted against ATAPI devices: Linear Read Test, Non-Destructive Write, and Random Read/Write Test.

- **Hard Disk**

This section shows the following tests conducted against the hard disk: Read Test, Read Verify Test, Non-Destructive Write Test, Destructive Write Test, Mechanics Stress Test, and Internal Cache Test.

- **USB**

This section shows the following tests conducted against the USB: Controller Tests and Functional Tests.

- **Hardware ID**

The compare test is used to determine the machine ID for the system. This test is not available for the Sun Fire X2100 M2 server.

3.8 Print Results Report

The Print Results Report option enables you to print system diagnostics results of your system.

Ensure that your server is connected to a printer, and then enter the required information to print the results.

3.9 About Pc-Check

The About Pc-Check window includes general information about Pc-Check software, including resident and nonresident components, such as mouse devices.

3.10 Exit to DOS

You use the Exit to DOS option to exit Pc-Check and return to the DOS prompt.

Maintaining the Sun Fire X2100 M2 Server

This chapter describes how to add, replace, and configure components in the Sun Fire X2100 M2 Server after it has been set up.

This chapter contains the following sections:

- [“Tools and Supplies Needed” on page 4-1](#)
- [“Powering Off the Server and Removing the Cover” on page 4-3](#)
- [“Locations of Server Components” on page 4-5](#)
- [“Component Replacement Procedures” on page 4-6](#)

To determine and isolate a faulty component, refer to [“Performing Diagnostics” on page 3-1](#).

Note – System cooling might be affected by dust and contaminant build-up. It is recommended that systems be opened and checked approximately every six months or more often in dirty operating environments. Check system heatsinks, fans, and air openings. If necessary, clean systems by brushing or blowing contaminants from the system or by carefully vacuuming contaminants from the system.

4.1 Tools and Supplies Needed

You need the following tools and supplies for performing Sun Fire X2100 M2 server maintenance procedures.

- #2 Phillips screwdriver
- Antistatic wrist strap
- 5 mm hex driver

4.2 Installation Precautions

Before removing the system's top cover, read the following sections. These sections contain important electrostatic discharge (ESD) precautions, along with preinstallation and postinstallation instructions.

4.2.1 ESD Precautions

Electrostatic discharge (ESD) can damage your processor, disk drives, expansion boards, and other components. Always observe the following precautions before you install a system component.

- Do not remove a component from its protective packaging until you are ready to install it.
- Wear a wrist strap and attach it to the system chassis ground, or to any metal part of the system, before handling components.
- Turn off the power button on the front of the chassis before removing or replacing any of the system components.

4.2.2 Preinstallation Instructions

Always perform the following steps before you install any component:

1. **Turn off the system and all of the peripherals connected to it.**



Caution – Failure to properly turn off the system before you start installing components can cause serious component damage.



Caution – Follow the ESD precautions described in [Section 4.2.1, “ESD Precautions” on page 4-2](#) when handling a system component.

2. **Open the server.**

See [Section 4.3, “Powering Off the Server and Removing the Cover” on page 4-3](#) for the appropriate procedure for opening the server.

4.2.3 Postinstallation Instructions

Perform the following steps after installing a server component.

1. **Ensure that all of the components are installed as described in the step-by-step instructions.**
See [Section 4.5, “Component Replacement Procedures”](#) on page 4-6.
2. **Reinstall any PCI-Express (PCIe) cards or peripherals that you had previously removed.**
See [Section 4.5, “Component Replacement Procedures”](#) on page 4-6.
3. **Reinstall the system’s cover.**
See [Section 4.3, “Powering Off the Server and Removing the Cover”](#) on page 4-3.
4. **Connect all external cables to the system.**
5. **Power on the system.**
See [Section 1.4, “Powering On and Powering Off the Server”](#) on page 1-8.



Caution – If the cover and hard disk drives bays do not have a hard drive or filler panel installed, do not operate the server for more than ten minutes. Improper cooling airflow might damage the system’s components.

4.3 Powering Off the Server and Removing the Cover

For your safety, perform this procedure when you are powering off the system and removing the cover for a maintenance procedure in this chapter.

1. **If the operating system (OS) is running, perform a shutdown of the OS, and then press and release the platform power button on the front panel.**
2. **Turn off all peripheral devices connected to the system.**
3. **Disconnect the AC power on the back panel of the server (see [FIGURE 1-2](#)).**
4. **Label and disconnect all peripheral cables and all telecommunication lines connected to I/O connectors or ports on the back panel of the system.**



Caution – The system’s printed circuit boards and hard disk drives contain components that are extremely sensitive to static electricity.

5. Before handling components, attach a wrist strap to a chassis ground (any unpainted metal surface).
6. Loosen the two captive screws securing the cover to the chassis (see [FIGURE 4-1](#)).
7. Pull the cover slightly toward the back of the server and then straight up to remove it.
8. Lift the cover and remove it.

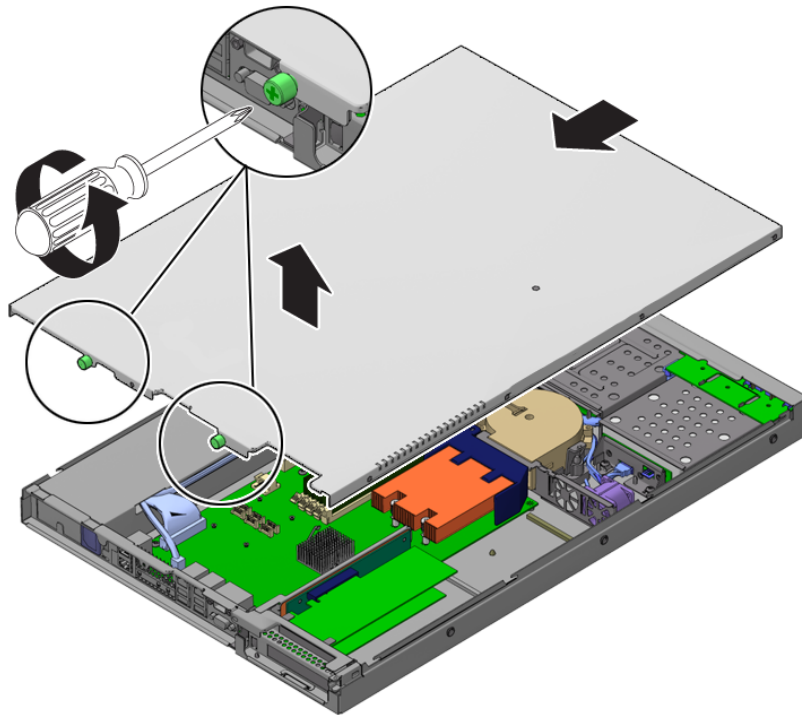


FIGURE 4-1 Removing the Server Cover

4.4 Locations of Server Components

Refer to [FIGURE 4-2](#) to locate components.

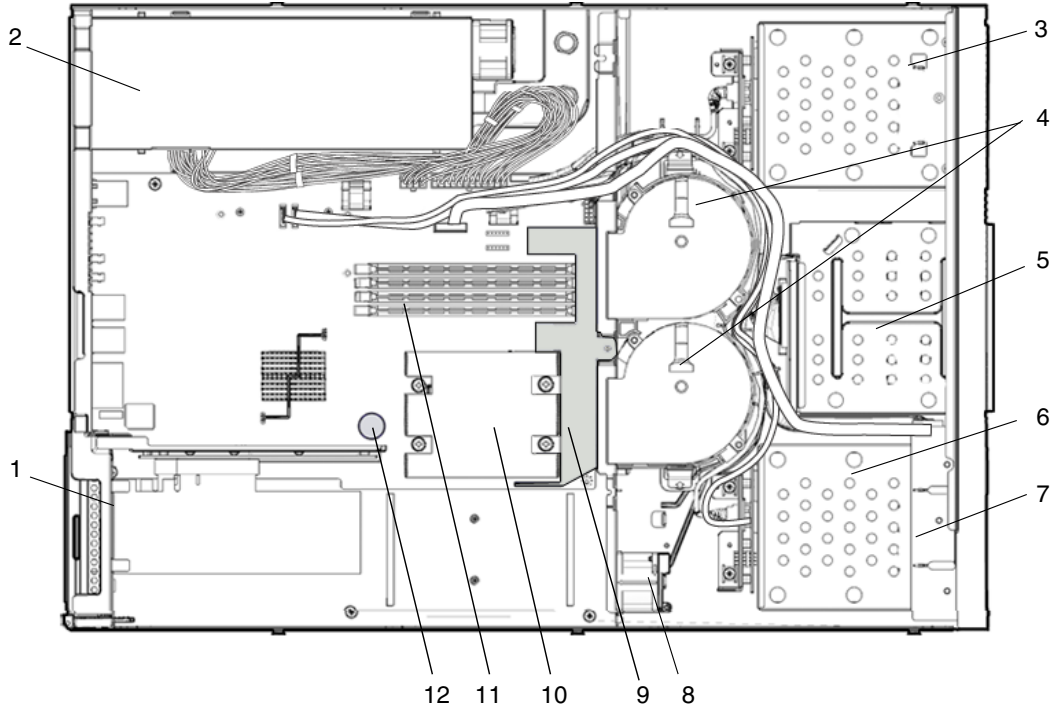


FIGURE 4-2 Sun Fire X2100 M2 Server System Components

TABLE 4-1 Sun Fire X2100 M2 Server Internal Components

Label	Component	Label	Component
1	PCI-Express riser and cards	7	I/O board
2	Power supply	8	Single fan module
3	Optional hard drive 1	9	Air duct
4	Dual blower module	10	CPU/heatsink
5	Optional DVD drive	11	DIMM slots (4)
6	Optional hard drive 0	12	Battery

4.5 Component Replacement Procedures

The following components are customer-replaceable units (CRUs):

- I/O board (see [Section 4.5.1, “Replacing the I/O Board” on page 4-7](#))
- PCIe cards and risers (see [Section 4.5.2, “Replacing the PCIe Card and Riser Assembly” on page 4-9](#))
- Hard disk drives and carriers (see [Section 4.5.3, “Replacing a Hard Disk Drive and Carrier” on page 4-12](#))
- LSI PCIe cards and cables (see [Section 4.5.4, “Installing an LSI PCIe Card and Cables” on page 4-14](#))
- ODD (DVD or CD) drive (see [Section 4.5.5, “Removing and Installing an ODD Drive Assembly” on page 4-19](#))
- Air duct (see [Section 4.5.6, “Replacing an Air Duct” on page 4-22](#))
- Power supply (see [Section 4.5.7, “Replacing the Power Supply” on page 4-24](#))
- Single fan modules (see [Section 4.5.8, “Replacing the Single Fan” on page 4-26](#))
- Dual blower module (see [Section 4.5.9, “Replacing the Dual Blower Module” on page 4-28](#))
- Memory DIMMs (see [Section 4.5.10, “Replacing Memory Modules” on page 4-31](#))
- Battery (see [Section 4.5.11, “Replacing the System Battery” on page 4-35](#))
- Cable kit (see [Section 4.5.13, “Replacing Cables” on page 4-43](#))

The following components should be replaced only by trained field service technicians:

- CPU - replacement (see [Section 4.5.12, “Replacing a CPU and Heatsink” on page 4-38](#))
- Motherboard (see [Section 4.5.14, “Replacing the Motherboard” on page 4-44](#))

4.5.1 Replacing the I/O Board

The following procedures describe how to remove and replace an I/O board.

4.5.1.1 Removing the I/O Board

To remove the I/O board:

1. Power off the server, including any attached peripherals, and disconnect the server from the electrical outlet. Refer to [Section 4.3, “Powering Off the Server and Removing the Cover”](#) on page 4-3.
2. Remove all cables connected to the I/O board.
3. Remove the screws securing the I/O board to the DVD cage.

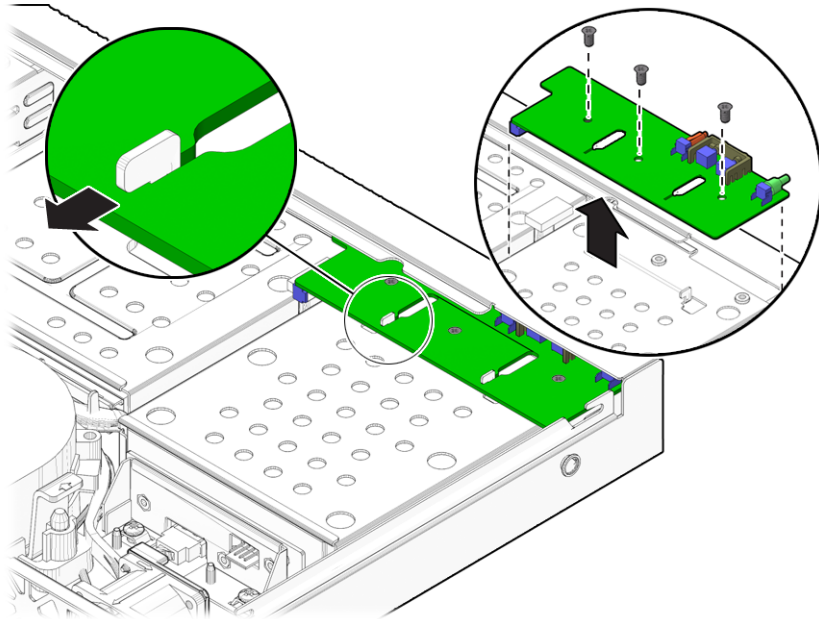


FIGURE 4-3 Removing the I/O Board

4. Pull the I/O board back slightly, then upwards to disengage the board from the guides on top of the HDD cage.

4.5.1.2 Installing the I/O Board

To install the I/O board:

1. Position the I/O board on top of the HDD cage so the openings on the board line up with the guides on top of the HDD cage.

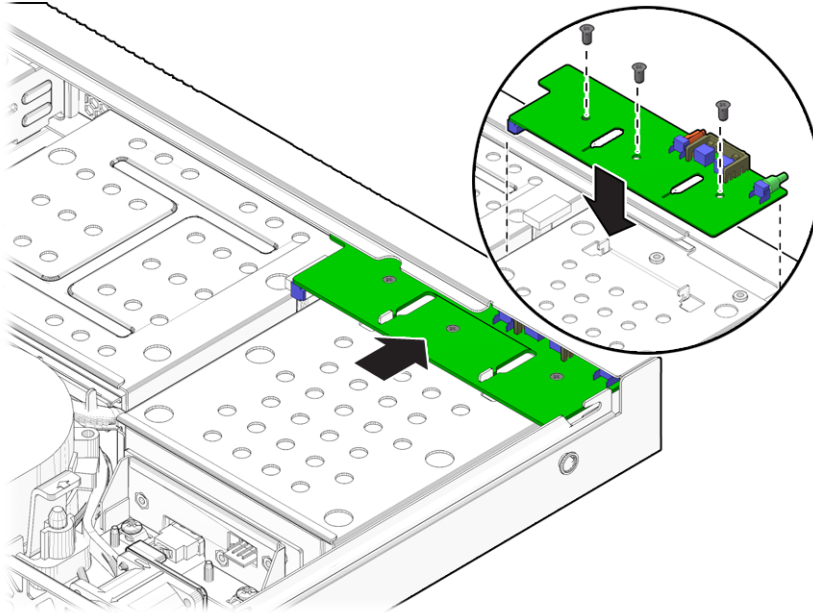


FIGURE 4-4 Installing the I/O Board

2. Gently push the I/O board down to engage the guides and push the board forward to secure it.
3. Fasten the screws to secure the I/O board to the mounting bracket.
4. Reconnect the cables.
5. Before reinstalling the cover on the server, check the routing of all cables for obstructions.

4.5.2 Replacing the PCIe Card and Riser Assembly

The PCIe riser assembly that comes with the system can hold two low profile, half-length x8 PCI-Express (PCIe) cards with the following specifications:

The following procedures describe how to remove or install a PCIe card.

4.5.2.1 Removing the Riser Assembly and PCIe Card

To remove the PCIe riser assembly and PCIe card:

1. **Power off the system and remove the cover as described in [Section 4.3, “Powering Off the Server and Removing the Cover”](#) on page 4-3.**

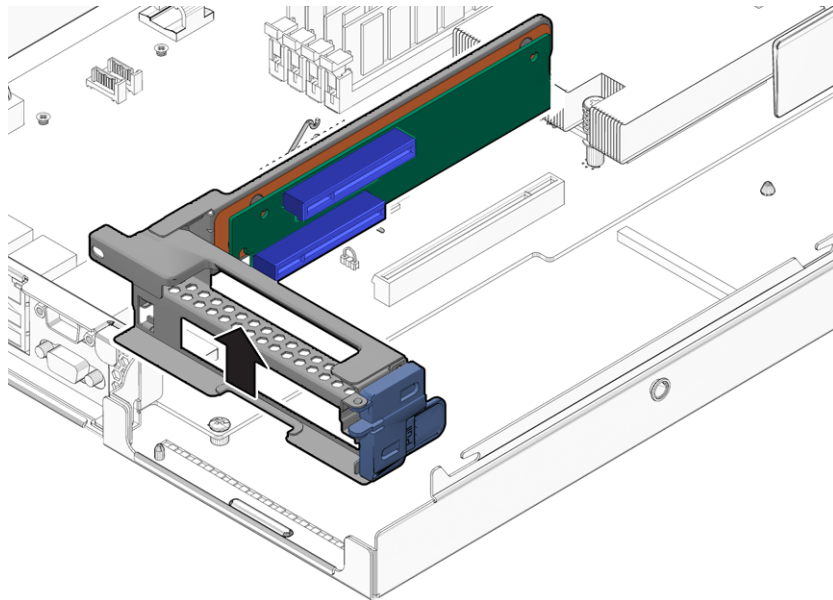


FIGURE 4-5 Removing the PCIe Card Riser Assembly

2. **Placing your fingers on the two green areas on the riser card, pull the assembly upward and out of the chassis.**
3. **Unlatch the PCIe card and remove the card from the PCIe card riser assembly connector.**

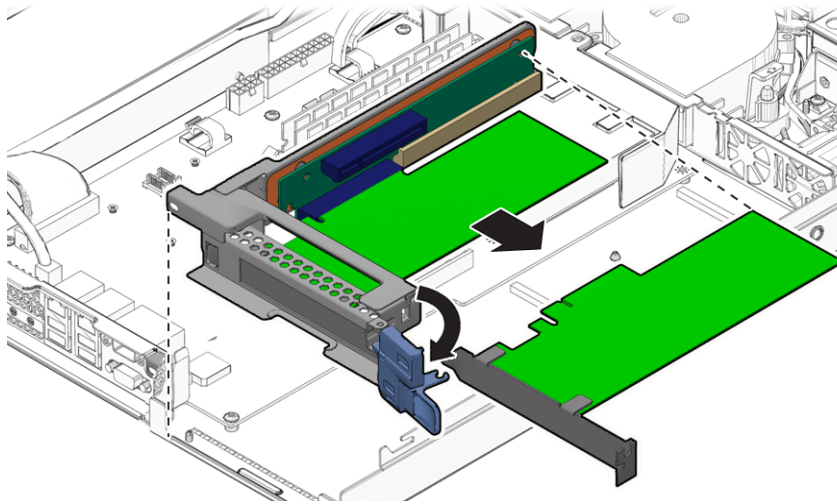


FIGURE 4-6 Removing a PCIe Card

4.5.2.2 Installing the PCIe Card and Riser Card Assembly

To install the PCIe card and riser card assembly:

1. If necessary, remove the riser card filler panel.

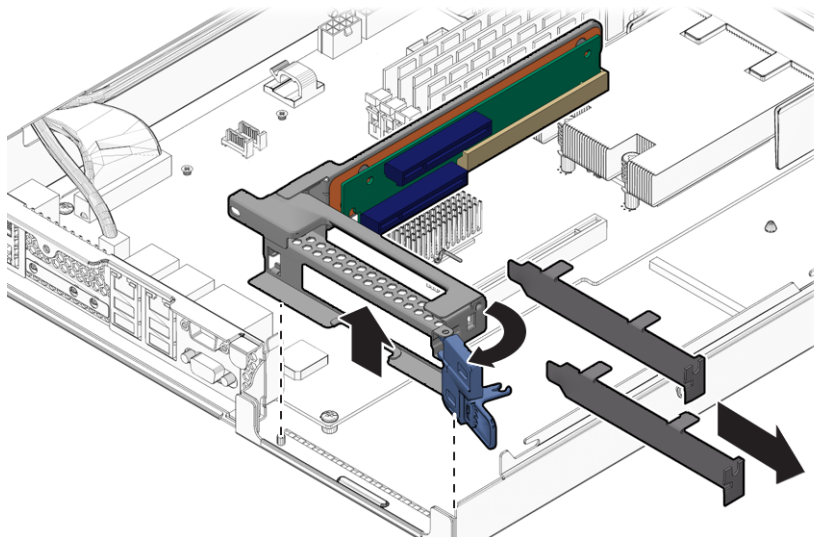


FIGURE 4-7 Removing the PCIe Riser Card Filler Panels

2. Connect the new PCIe in the riser assembly and fasten the latch to secure it.

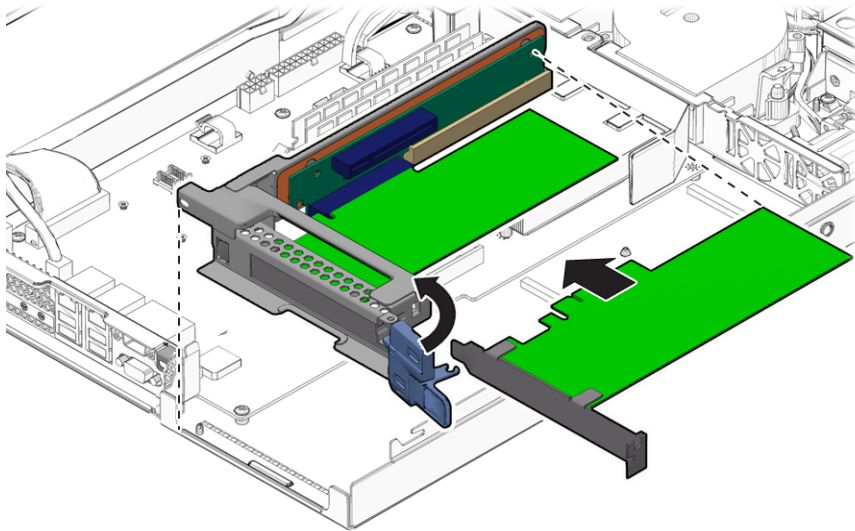


FIGURE 4-8 Installing a PCIe Card

3. Reinstall the riser assembly and card in the connector on the motherboard.

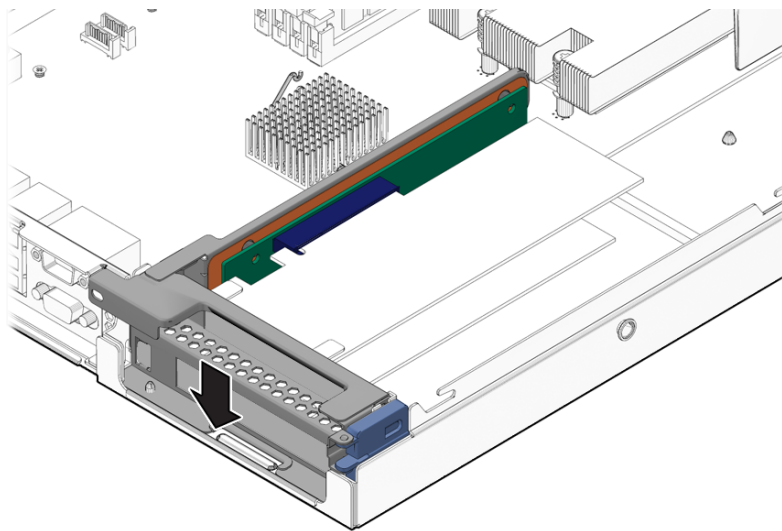


FIGURE 4-9 Installing the PCIe Card Riser Assembly

4. Check the routing of all cables for obstructions, and then reinstall the cover.

4.5.3 Replacing a Hard Disk Drive and Carrier

The following procedures describe how to remove and replace a hard disk drive (HDD) and carrier.

4.5.3.1 Removing an HDD and Carrier

To remove the HDD and carrier:

1. If you are *not* using an integrated-mirroring configuration, you must power off the server before removing an HDD; it is not necessary to remove the cover. Power off the system as described in [Section 4.3, "Powering Off the Server and Removing the Cover"](#) on page 4-3.

If you are using an IM configuration, start with [Step 2](#).

2. Squeeze the release latch and carefully swing the arm to the left as far as it will go.

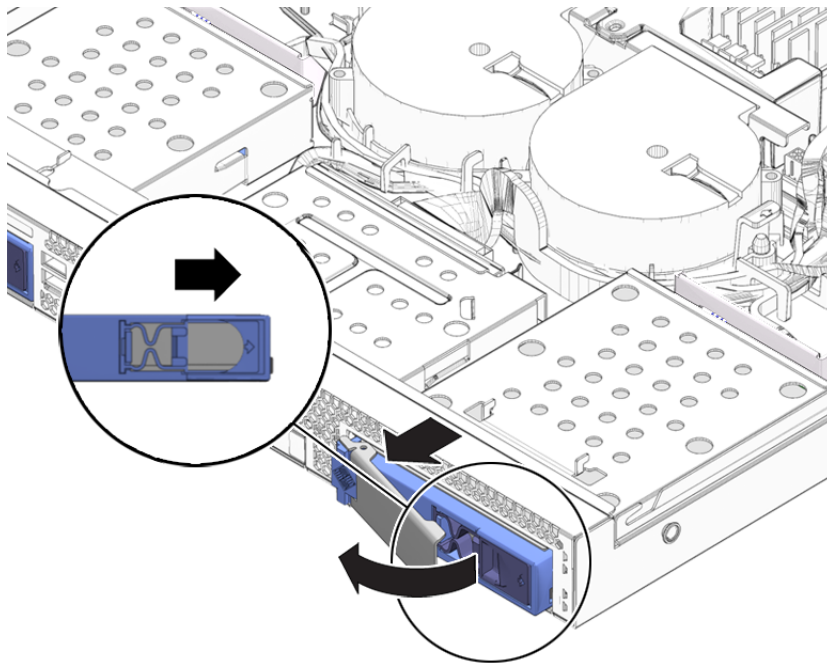


FIGURE 4-10 Removing a Hard Disk Drive

3. Grasp the carrier bezel with both hands and carefully pull the carrier out of the drive bay.

Note – Avoid using the arm to remove the carrier.

4. Reinsert the HDD and carrier into the server as described in [Section 4.5.3.2, “Installing an HDD and Carrier”](#) on page 4-13.

4.5.3.2 Installing an HDD and Carrier

Note – If you are installing a new HDD, rather than replacing an already installed HDD, you will need to remove the empty carrier from the drive cage before installing the new HDD. See instructions for Removing an HDD and carrier.

To install the HDD and carrier:

1. Squeeze the release latch and carefully swing the arm to the left as far as it will go.

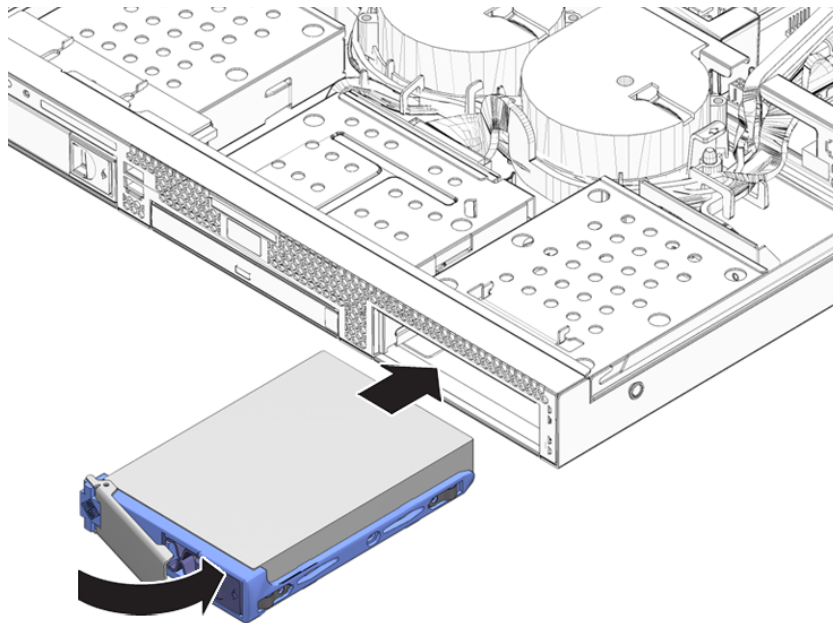


FIGURE 4-11 Installing the Hard Disk Drive

2. Grasping the body of the drive in both hands, carefully guide the connector end of the carrier into the drive bay, sliding the carrier into the bay until the arm engages and partially closes itself.
3. Push the arm forward and latch it to lock the carrier in place.

4.5.4 Installing an LSI PCIe Card and Cables

This section contains instructions on installing and LSI PCIe card. This card enables the following added functionality for the Sun Fire X2100 M2 server:

- Standalone SAS hard drive support
- RAID support using SAS hard drives
- RAID support using SATA hard drives

Use the appropriate procedure, depending on the hard drive format that you are using:

- [“Installing the LSI Card to Support SAS Hard Drive Installation” on page 4-14](#)
- [“Installing the LSI Card to Support SATA RAID” on page 4-17](#)

4.5.4.1 Installing the LSI Card to Support SAS Hard Drive Installation

If your system originally had SATA drives installed or came diskless, and you would like to install SAS drives, use the following procedure.

You will need to order the following components needed for the SAS drive installation:

- An LSI PCIe card
- One or two SAS HDDs

The following procedure describes how to remove the current SATA installation and install the SAS components. If you started with a diskless system, you do not need to do Step 2.

1. **Power off the system and remove the cover as described in [Section 4.3, “Powering Off the Server and Removing the Cover” on page 4-3.](#)**
2. **Remove the current SATA hard drive(s) from the server, if necessary.**
See [Section 4.5.3.1, “Removing an HDD and Carrier” on page 4-12.](#)

3. Reroute the hard drive cables. See [FIGURE 4-12](#).

Note the following guidelines for cable removal and installation:

- Disconnect the red cable from the hard drive backplane and the motherboard connector, then connect the red cable to the HDD 0 backplane.
- Disconnect the blue cable from the hard drive backplane and the motherboard connector, then connect the blue cable to the HDD 1 backplane.
- Make sure to route the blue cable through the dual blower routing clips.

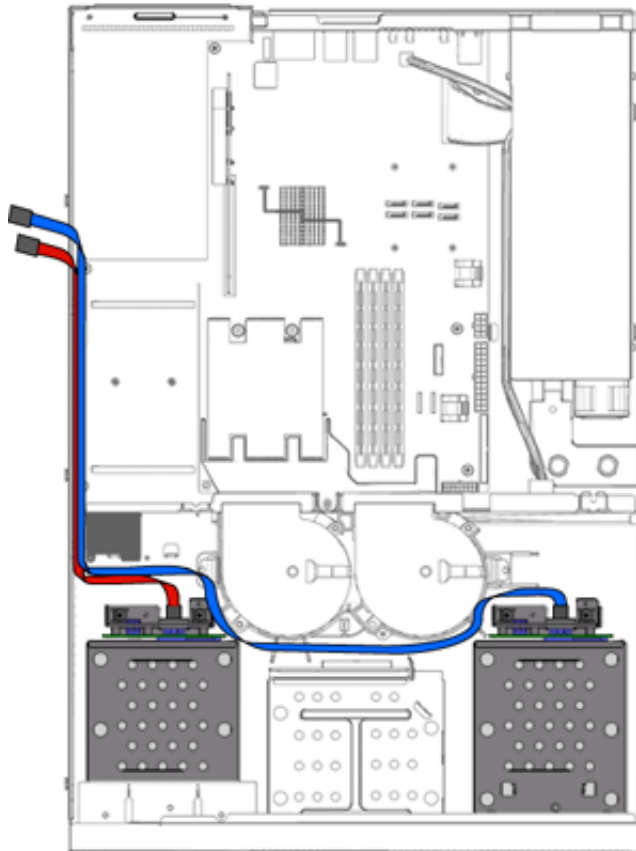


FIGURE 4-12 SAS Drive Cable Routing

4. Remove the riser assembly from the server. See [Section 4.5.2.1, “Removing the Riser Assembly and PCIe Card”](#) on page 4-9.

5. Install the SAS card into the riser assembly. See [Section 4.5.2.2, “Installing the PCIe Card and Riser Card Assembly”](#) on page 4-10.

Do not install the riser card into the server yet. It will be easier to connect the cables with the card outside of the system.

6. Connect the SAS cables to the SAS card connectors. See [FIGURE 4-13](#).

- Connect the red cable to PHY 0.
- Connect the blue cable to PHY 1.

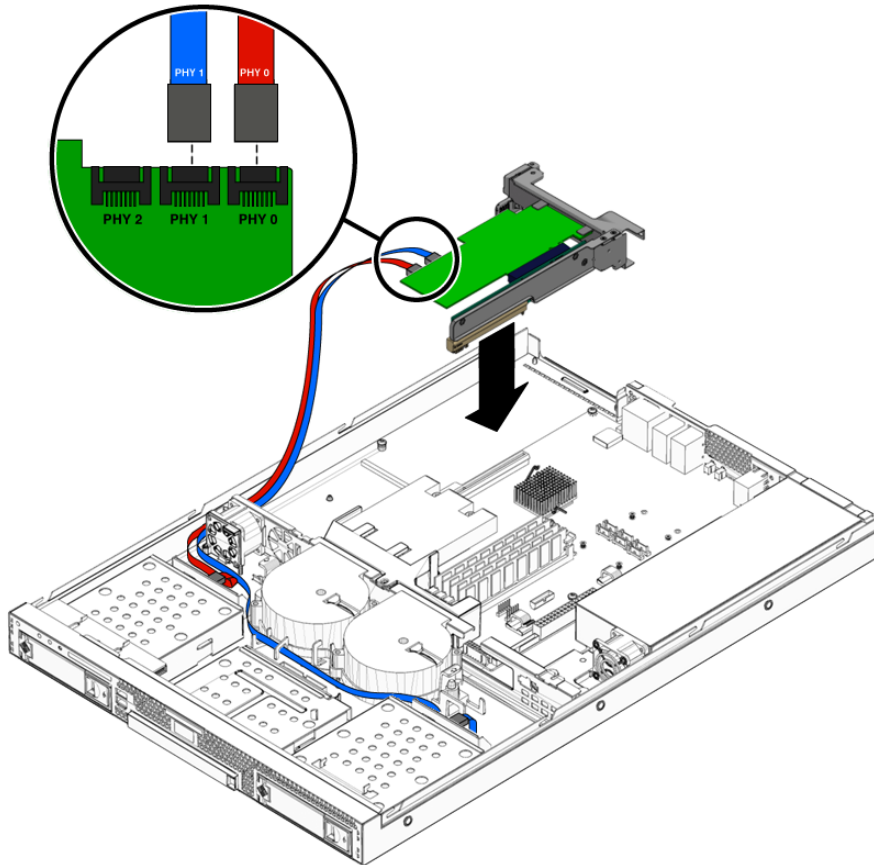


FIGURE 4-13 Installing an LSI PCIeCard

7. Install the riser assembly into the server. See [Section 4.5.2.2, “Installing the PCIe Card and Riser Card Assembly”](#) on page 4-10.

8. Replace the system cover.

9. Install the SAS hard drives.

See [Section 4.5.3.2, “Installing an HDD and Carrier”](#) on page 4-13.

4.5.4.2 Installing the LSI Card to Support SATA RAID

This section describes how to add the LSI PCIe card and cables to a system using SATA hard disks. The LSI card will support SATA hard disks attached to it. This configuration will only be used for customers who require a true SATA RAID configuration.

You will need to order the following components:

- An LSI PCIe card
- Two SATA HDDs (if not already installed)

The following procedure describes how to add the LSI PCIe card and cables to connect to the SATA hard disks.

1. **Power off the system and remove the cover as described in [Section 4.3, “Powering Off the Server and Removing the Cover”](#) on page 4-3.**
2. **Reroute the hard drive cables. See [FIGURE 4-14](#).**

Note the following guidelines for cable removal and installation:

- Disconnect the red cable from the hard drive backplane and the motherboard connector, then connect the red cable to the HDD 0 backplane.
- Disconnect the blue cable from the hard drive backplane and the motherboard connector, then connect the blue cable to the HDD 1 backplane.
- Make sure to route the blue cable through the dual blower routing clips.

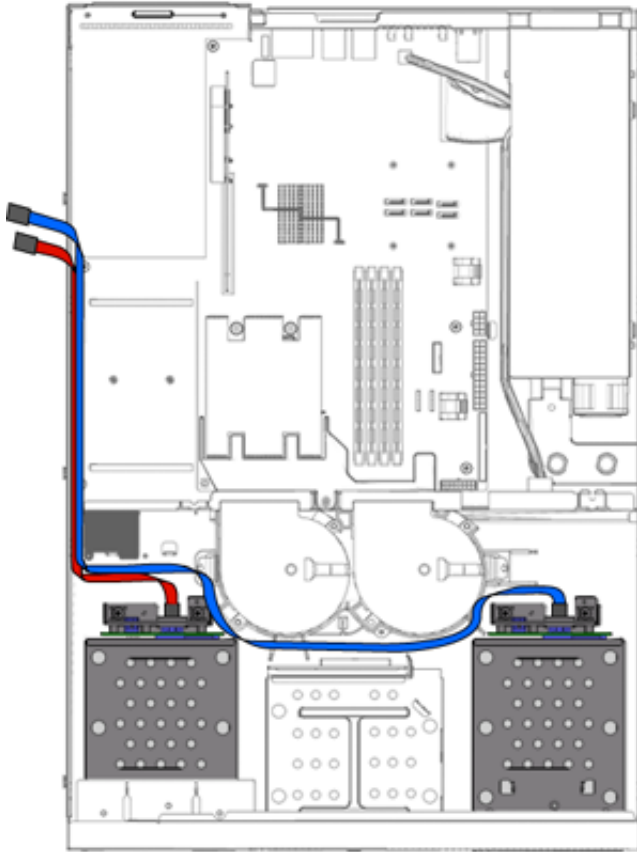


FIGURE 4-14 SATA Drive Cable Routing

3. **Remove the riser assembly from the server.** See [Section 4.5.2.1, “Removing the Riser Assembly and PCIe Card”](#) on page 4-9.
4. **Install the LSI PCIe card into the riser assembly.** See [Section 4.5.2.2, “Installing the PCIe Card and Riser Card Assembly”](#) on page 4-10.

Do not install the riser card into the server yet. It will be easier to connect the cables with the card outside of the system.

5. **Connect the SATA cables to the LSI PCIe card connectors.** See [FIGURE 4-13](#).
 - Connect the red cable to PHY 0.
 - Connect the blue cable to PHY 1.

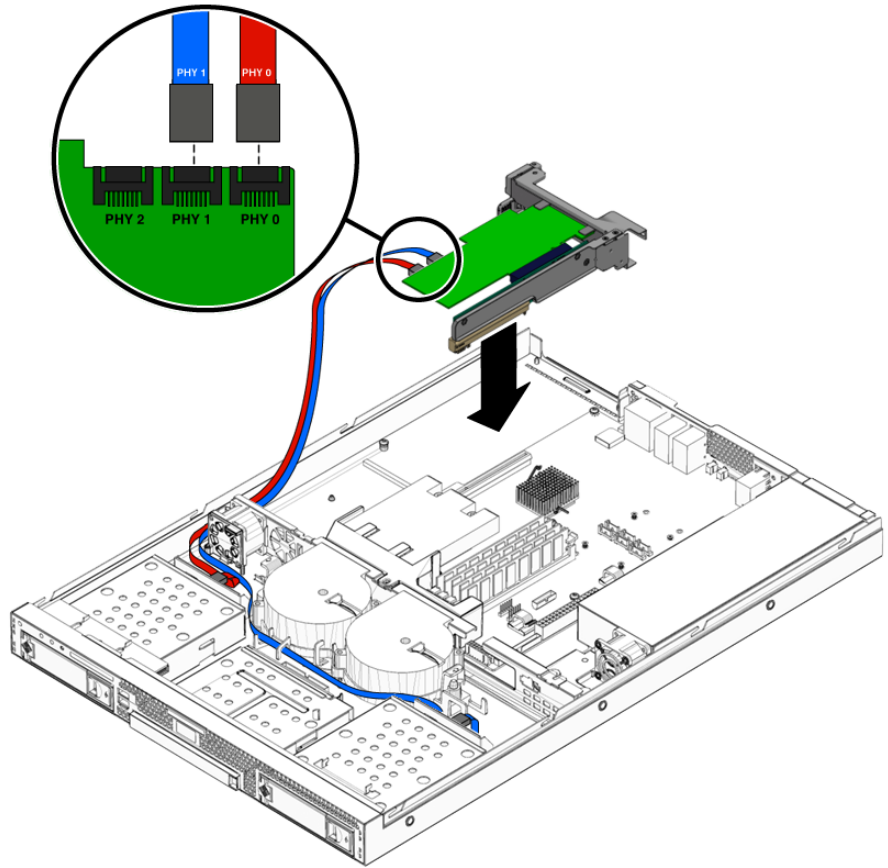


FIGURE 4-15 Installing an LSI PCIe Card

6. **Install the riser assembly into the server.** See [Section 4.5.2.2, “Installing the PCIe Card and Riser Card Assembly”](#) on page 4-10.
7. **Replace the system cover.**
8. **Install the SATA hard drives, if necessary.**
See [Section 4.5.3.2, “Installing an HDD and Carrier”](#) on page 4-13.

4.5.5 Removing and Installing an ODD Drive Assembly

The following procedure describes how to replace the optical disk drive (ODD) assembly. If you are not replacing a DVD drive, go straight to [Section 4.5.5.2, “Installing the ODD Drive Assembly”](#) on page 4-21.

4.5.5.1 Removing an ODD Drive Assembly

To remove an ODD (DVD or CD) drive assembly:

1. Power off the system and remove the cover as described in [Section 4.3, "Powering Off the Server and Removing the Cover"](#) on page 4-3.
2. Unfasten the drive ribbon cable from the ODD drive.



Caution – Use care with the small flat cables. They are extremely fragile.

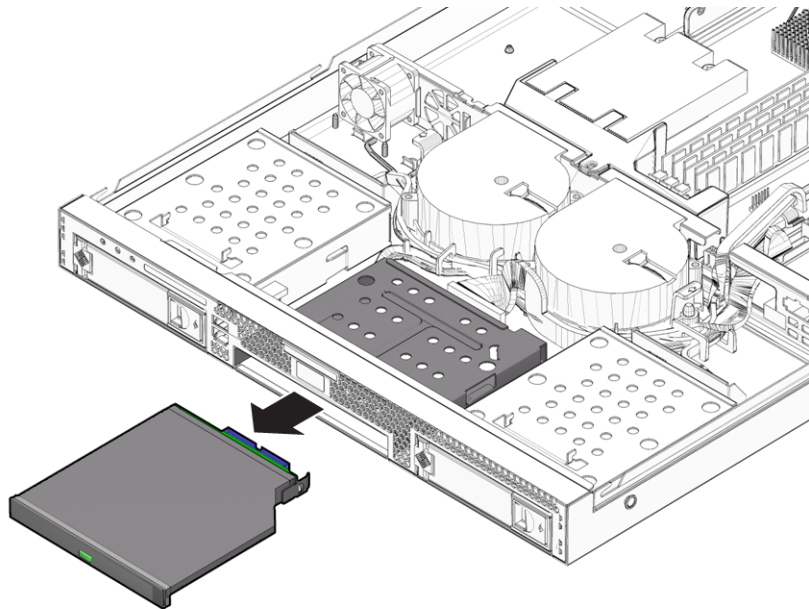


FIGURE 4-16 Removing the DVD Drive Assembly

3. Push the latch on the back of the ODD drive toward the drive until the ODD drive springs forward out of the chassis.
4. Pull the ODD drive out the front of the chassis.



Caution – Move the assembly by grasping it by its sides. Do not push on the DVD-ROM tray.

4.5.5.2 Installing the ODD Drive Assembly

To install the ODD (DVD or CD) drive assembly:

1. **If necessary, remove the filler panel in front of the ODD drive slot on the front panel.**

Put your finger or a screw driver behind the slot on the right side of the filler panel and pull the panel outward.

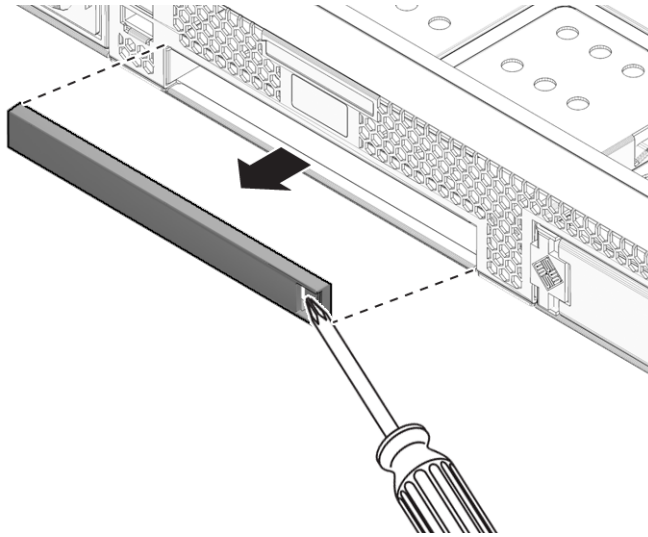


FIGURE 4-17 Removing the DVD Drive Filler Panel

2. **Position the ODD drive in front of the ODD drive slot on the front panel.**
3. **Push the ODD drive into the drive slot until the drive clicks into place.**

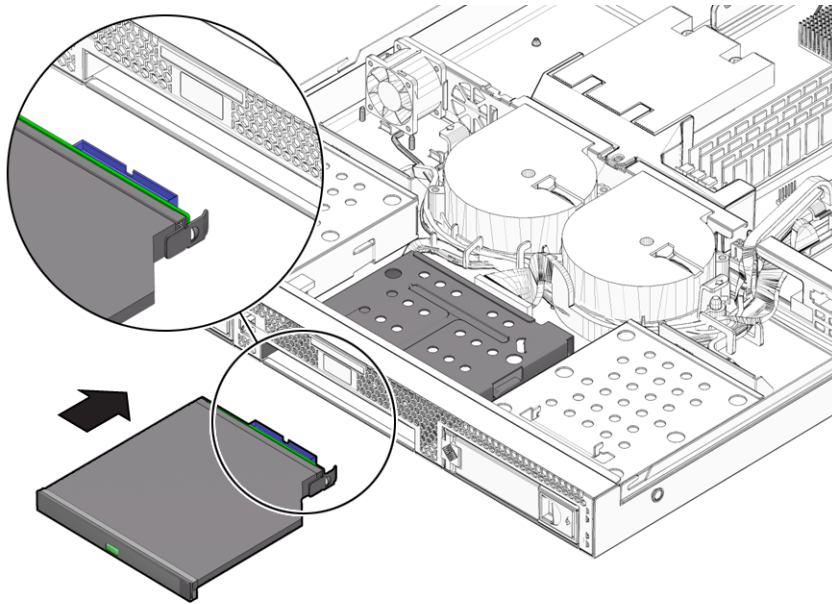


FIGURE 4-18 Installing the DVD Drive Assembly

4. Reinstall the ODD drive cable.
5. Check the routing of all cables for obstructions, and then reinstall the cover.

4.5.6 Replacing an Air Duct

The following procedures describe how to replace the system air duct.

4.5.6.1 Removing the Air Duct

To remove the air duct:

1. Power off the system and remove the cover as described in [Section 4.3, "Powering Off the Server and Removing the Cover"](#) on page 4-3.
2. Remove the screw fastening the air duct to the chassis divider.

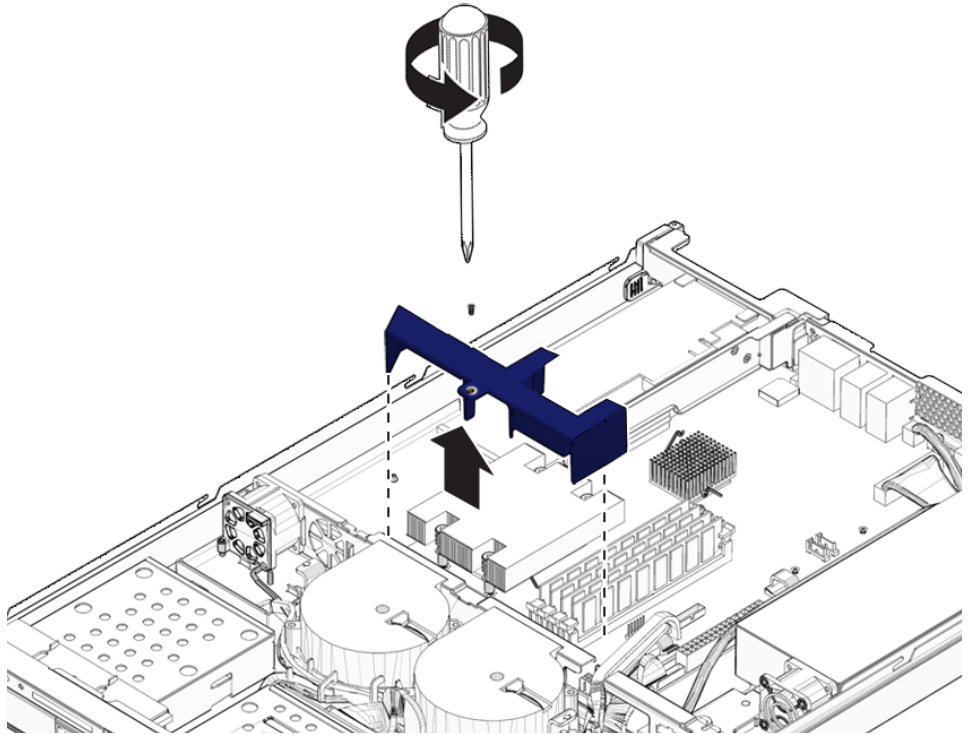


FIGURE 4-19 Air Duct Removal

4.5.6.2 Installing the Air Duct

To install the air duct:

1. Position the air duct as shown in [FIGURE 4-20](#), aligning the baffle with the screw hole and opening in chassis divider.
2. Fasten the screw that attaches the air duct to the chassis divider.

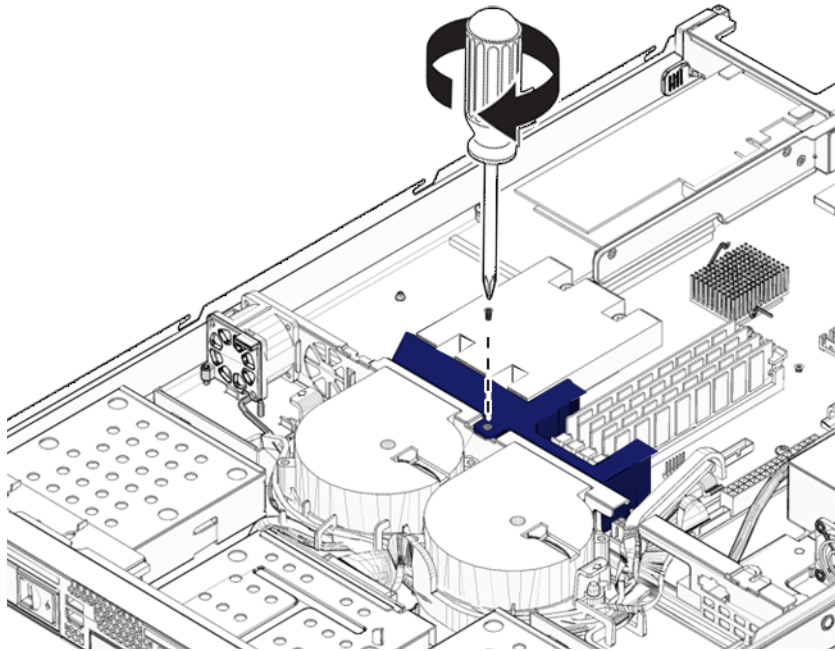


FIGURE 4-20 Air Duct Installation

4.5.7 Replacing the Power Supply

The following procedures describe how to replace the power supply.

4.5.7.1 Removing a Power Supply

To remove the power supply:

1. **Power off the system and remove the cover as described in [Section 4.3, “Powering Off the Server and Removing the Cover”](#) on page 4-3.**
2. **Disconnect the two power-supply cables from the motherboard and power supply connections to the hard drives.**
3. **Remove the bracket with the captive screw.**
4. **Remove the power supply.**

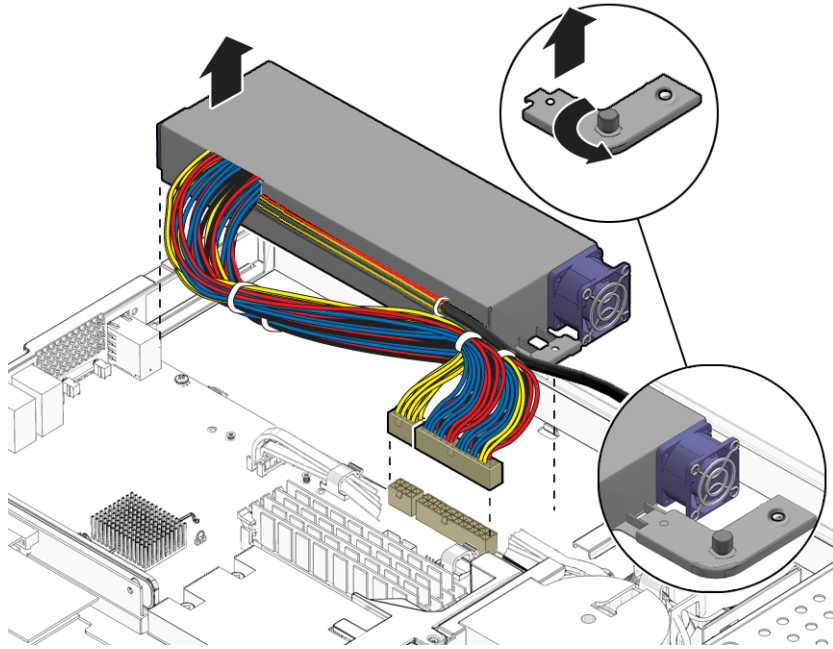


FIGURE 4-21 Removing the Power Supply

5. Lift the power supply out of the chassis.

4.5.7.2 Installing a Power Supply

To install the power supply:

1. Position the power supply over the chassis power-supply cage.
2. Insert the power supply into the chassis and push it forward so that it is flush with the back panel.
3. Install the power supply bracket on top of the power supply tab and fasten the captive screw.

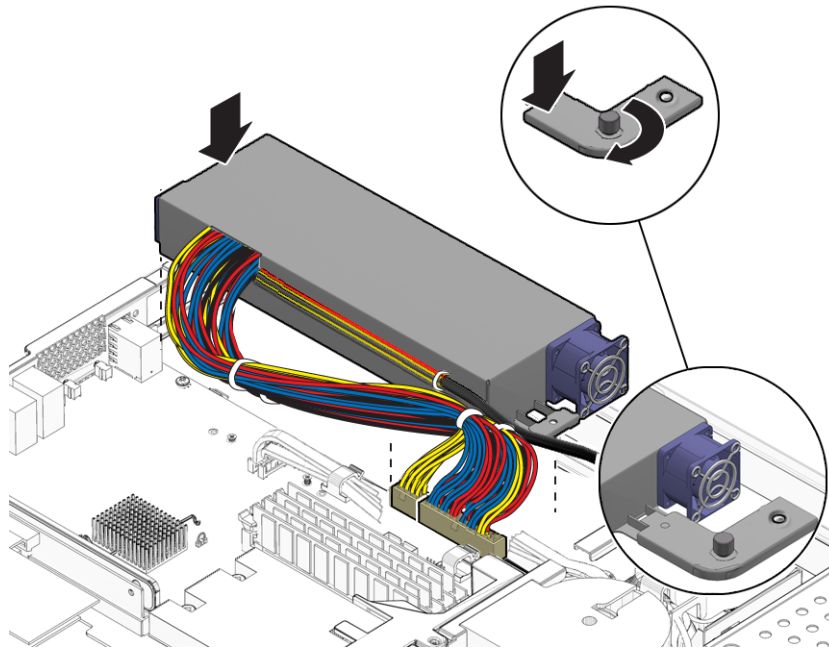


FIGURE 4-22 Installing the Power Supply

4. Connect two of the power supply cables to the motherboard and one cable to the SATA backplanes.
5. Check the routing of all cables for obstructions, and then reinstall the cover.

4.5.8 Replacing the Single Fan

The following procedures describe how to replace a single system fan module.

4.5.8.1 Removing the Fan

To remove a system fan module:

1. Power off the system and remove the cover as described in [Section 4.3, "Powering Off the Server and Removing the Cover"](#) on page 4-3.
2. Pull the fan upward to remove it.

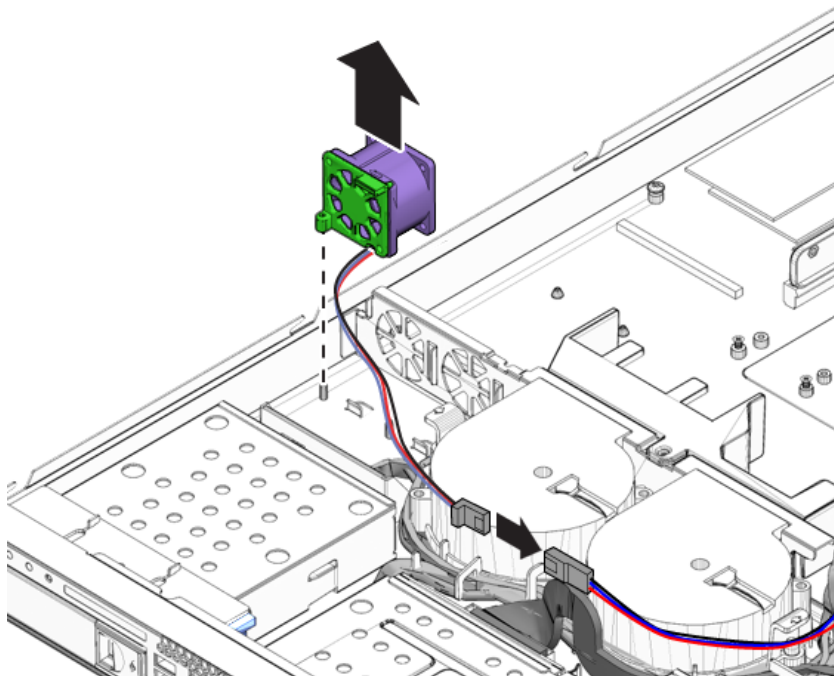


FIGURE 4-23 Removing a Fan Module

3. **Unplug the fan's power connector from the connector on the fan harness.**

4.5.8.2 Installing the Fan

To install a system fan module:

1. **Position the fan so that the arrow on top of the fan casing is facing the middle chassis divider.**
2. **Place the fan in the chassis so that it fits over the small guideposts.**

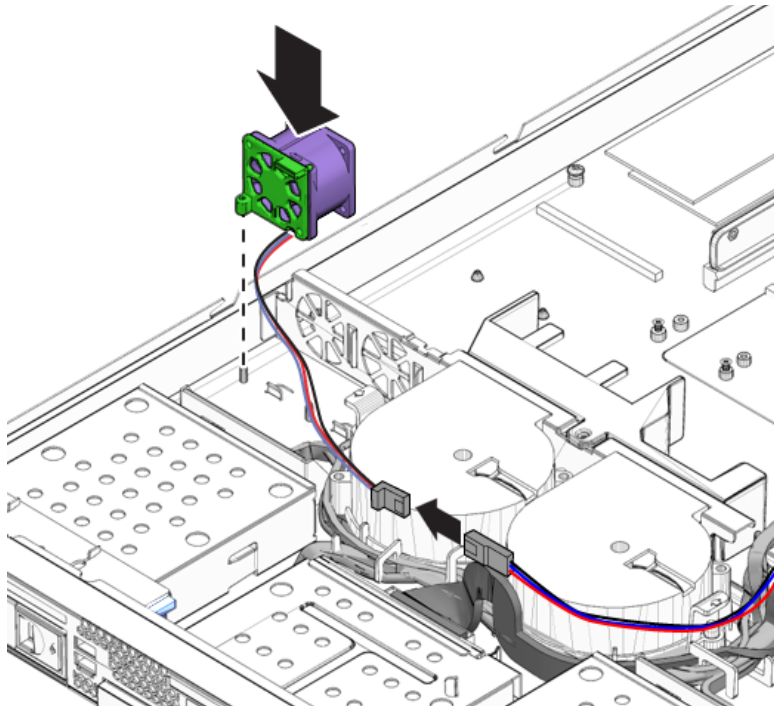


FIGURE 4-24 Installing a Fan Module

3. Gently push the fan down to secure it to the chassis.
4. Connect the fan connector to the appropriate connector on the fan harness.

Note – Note exactly which motherboard connector to which the fan was connected. If you connect a fan to an incorrect connector, the SP cannot correctly identify a fan failure.

5. Check the routing of all cables for obstructions, and then reinstall the cover.

4.5.9 Replacing the Dual Blower Module

The following procedures describe how to replace a dual blower module.

4.5.9.1 Removing the Dual Blower Module

To remove a dual blower module:

1. **Power off the system and remove the cover as described in [Section 4.3, “Powering Off the Server and Removing the Cover”](#) on page 4-3.**
2. **Remove the single fan connectors from the harness connectors.**
3. **Remove all cables from the blower retention clips before removing the blower modules.**
4. **Push in the tabs on both sides of the dual blower module and simultaneously pull the fan module upward to remove it.**

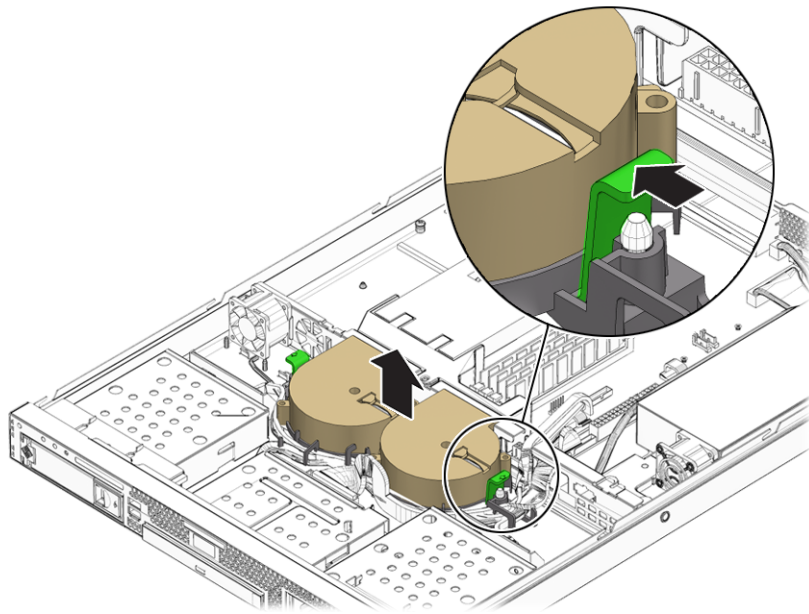


FIGURE 4-25 Removing a Dual Blower Module

5. **Unplug the fan’s power connector from the motherboard.**

4.5.9.2 Installing the Dual Blower Module

To install the dual blower module:

1. **Position the dual fan module so that it fits over the guideposts and the duct opening fits into the cutouts in the chassis divider.**

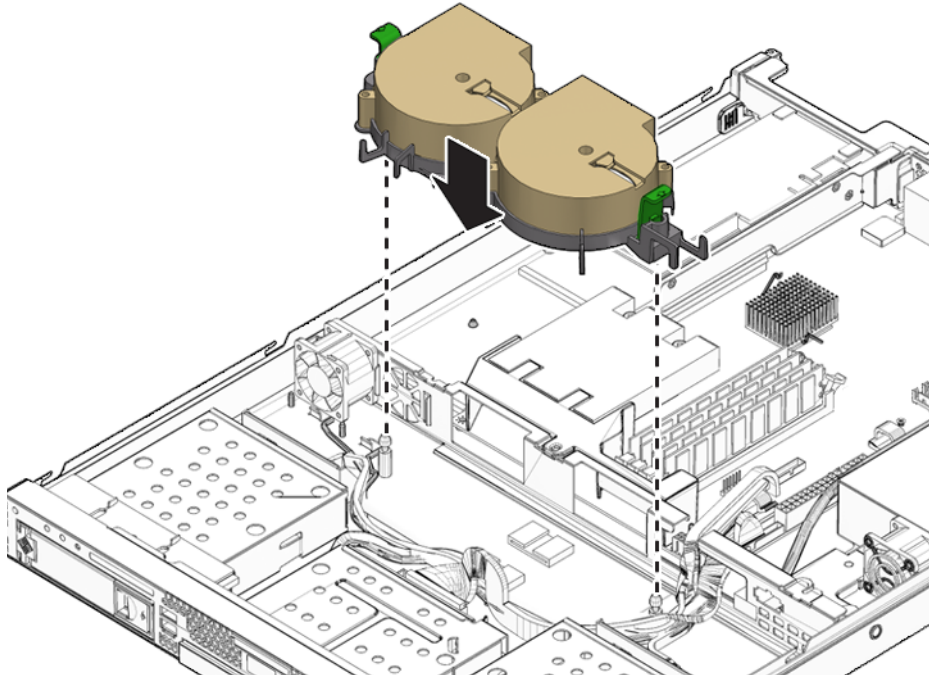


FIGURE 4-26 Installing a Dual Blower Module

2. Gently push the blower module down, until you hear the side tabs click into place.
3. Connect the blower connectors to the appropriate connectors on the motherboard.
4. Connect each of the single fan connectors to the corresponding fan harness connector.
5. Check the routing of all cables for obstructions, and then reinstall the cover.

4.5.10 Replacing Memory Modules

The following procedure describes how to remove and or install dual inline memory modules (DIMMs).

4.5.10.1 DIMM Population Rules

Note – Keep in mind the following information and rules when you use the procedures in this section to replace or add DIMMs to the server.

- Four unbuffered DDR2 DIMMs are supported.
- DIMM 0 is farthest from the CPU.
- Populate the slots in order from slot 0 to slot 3.

4.5.10.2 Removing a DIMM

To remove a DIMM:

1. **Power off the system and remove the cover as described in [Section 4.3, “Powering Off the Server and Removing the Cover”](#) on page 4-3.**
2. **Locate the DIMM connector in which you will install or replace a memory module.**

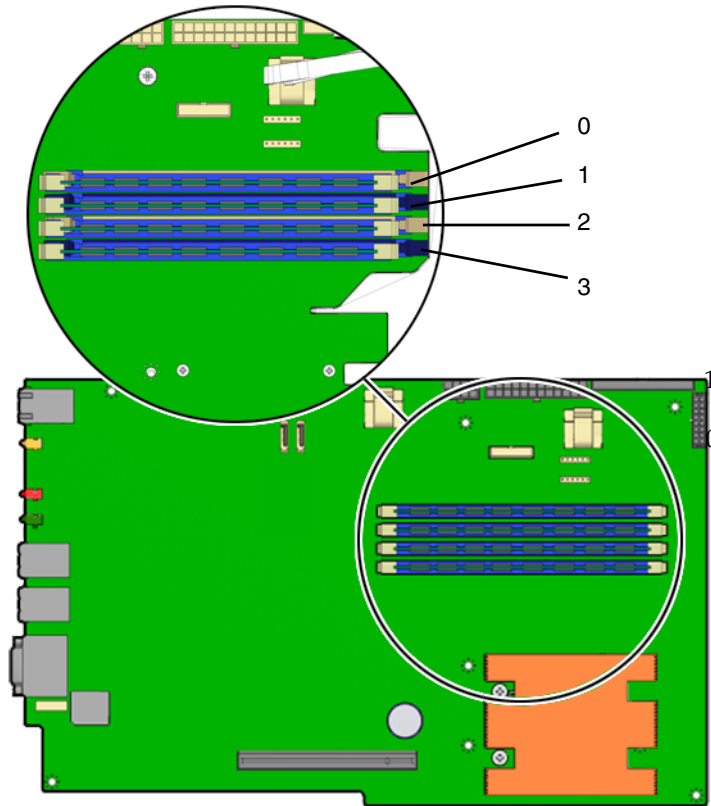


FIGURE 4-27 Bank DIMM Slot Locations

3. Remove a DIMM by pressing down on the ejector bars at both ends of the memory module's socket (see [FIGURE 4-28](#)).

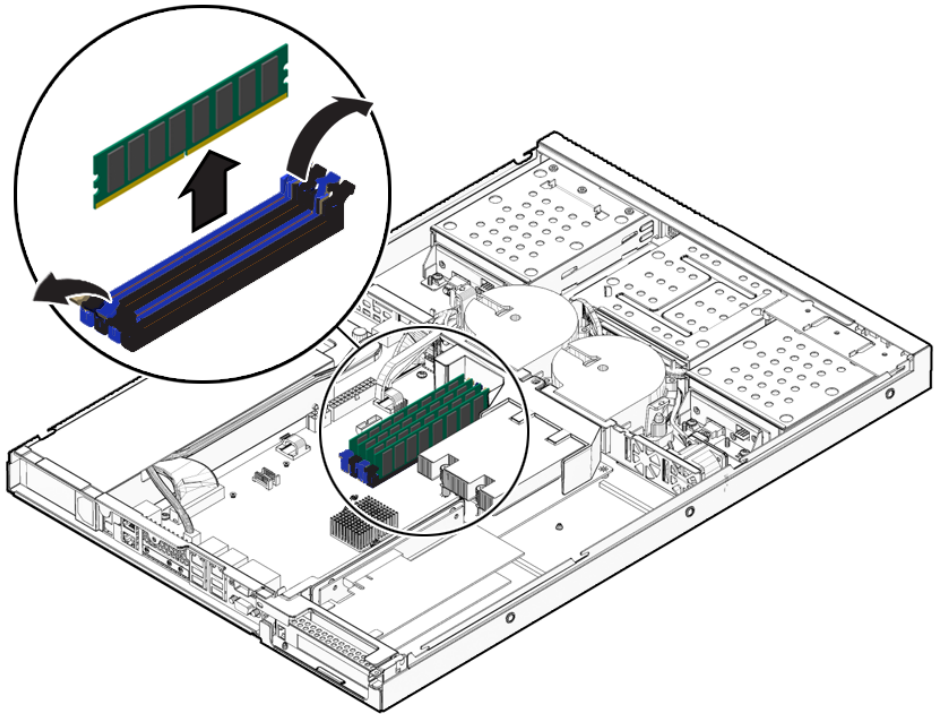


FIGURE 4-28 Removing a DIMM

4.5.10.3 Installing a DIMM

To install a DIMM:

1. Refer to [Section 4.5.10.1, “DIMM Population Rules”](#) on page 4-31 before installing DIMMs.
2. Ensure that the DIMM socket’s ejectors are open (rotated outward) to allow the new module to be inserted.
3. Align the DIMM’s edge connector with the alignment key and insert the memory module into the connector.

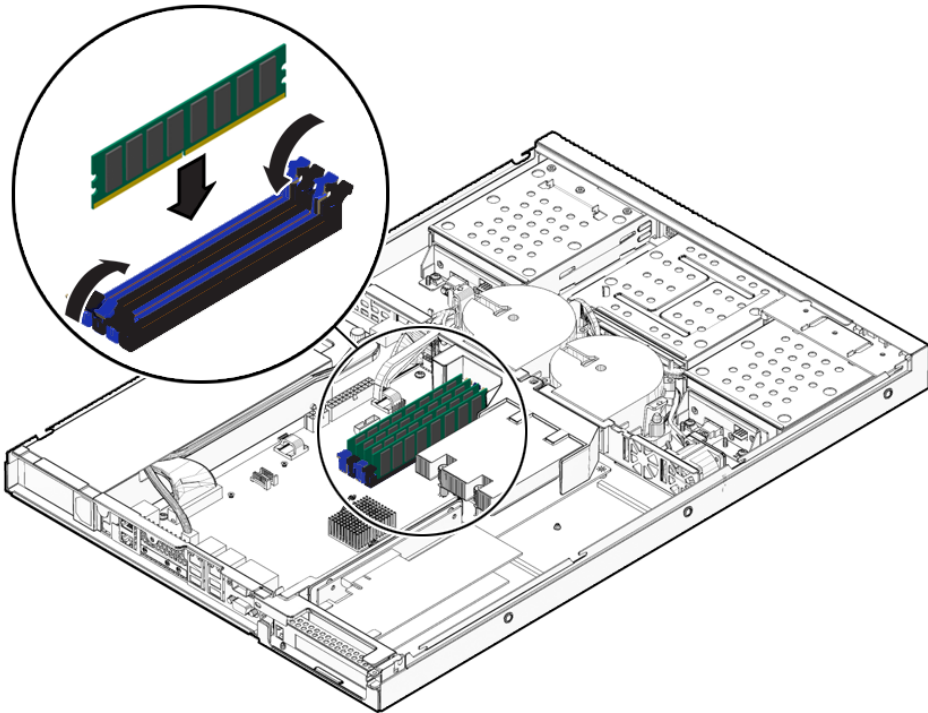


FIGURE 4-29 Installing a DIMM

4. Using both thumbs, press the DIMM straight down into the DIMM slot until both ejector levers click, locking the DIMM in the DIMM slot.
 - The DIMMs must be inserted evenly, straight down along the DIMM slot until locked into place.
 - The DIMM is seated when you hear a click and the DIMM ejector levers are in the vertical position.

Note – The manufacturer and capacity of both modules in the same memory bank must be identical.

5. Check the routing of all cables for obstructions, and then reinstall the cover.

4.5.11 Replacing the System Battery

The system battery is a common CR2032 calculator battery.

You might need to replace the system battery if you know it is weak or if after any period of AC power loss, the BIOS loses its CMOS settings, or if the time-of-day clock loses time.



Caution – Removing the battery causes the server to revert to the factory default BIOS settings, regardless of how the server boot options have been set up using the System Setup Utility or the BIOS setup.



Caution – Do not attempt to open or service batteries. The battery contains lithium and can explode if not properly used, handled, or disposed of.

4.5.11.1 Removing the System Battery

To remove a system battery:

1. Power off the system and remove the cover as described in [Section 4.3, “Powering Off the Server and Removing the Cover”](#) on page 4-3.

2. Pry the battery out of the system with a screwdriver as shown in [FIGURE 4-30](#).

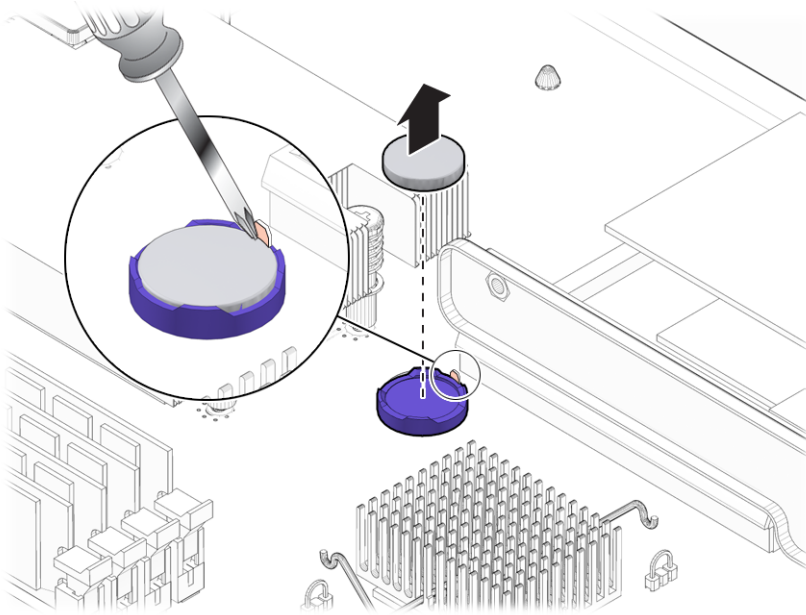


FIGURE 4-30 Removing the System Battery



Caution – Do not dispose of the battery with regular waste. Discard used batteries according to the manufacturer’s instructions or contact your local waste-disposal agency for the location of the nearest battery deposit site.

4.5.11.2 Installing the System Battery

To install a system battery:

1. Insert the new system battery into the holder with the side labeled “+” facing upwards.

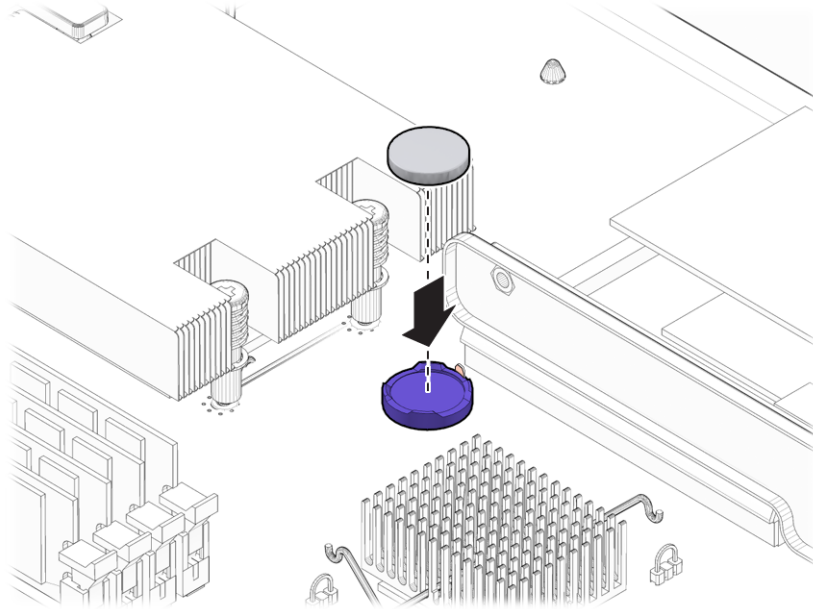


FIGURE 4-31 Installing the System Battery

Note – Replace the battery only with the identical model.

2. Check the routing of all cables for obstructions.
3. Replace the cover.

4.5.12 Replacing a CPU and Heatsink

The following procedure describes how to replace a CPU.

Note – Replacement of a CPU and heatsink should only be done by trained service personnel.

4.5.12.1 Removing a CPU and Heatsink

To remove a CPU and heatsink:

1. Power off the system and remove the cover as described in [Section 4.3, “Powering Off the Server and Removing the Cover”](#) on page 4-3.
2. Remove the air duct as shown in [Section 4.5.6, “Replacing an Air Duct”](#) on page 4-22.
3. Unfasten the four screws securing the heatsink to the board (see [FIGURE 4-32](#)).

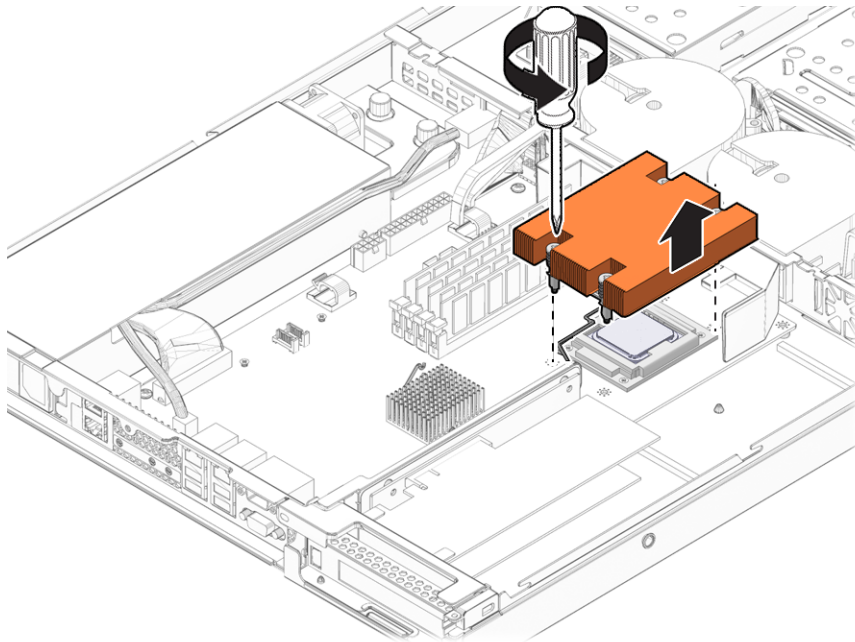


FIGURE 4-32 Removing the Heatsink



Caution – The heatsink can become extremely hot. Be sure it has had sufficient time to cool before handling.

4. Twist the heatsink slightly to the right or left to break the seal with the thermal grease.
5. Lift the heatsink away from the CPU.
6. Place the heatsink upside-down on a flat surface to prevent the thermal grease from contaminating other components.
7. Pull the socket release lever up to the fully open, perpendicular position.
8. Open the CPU cover.

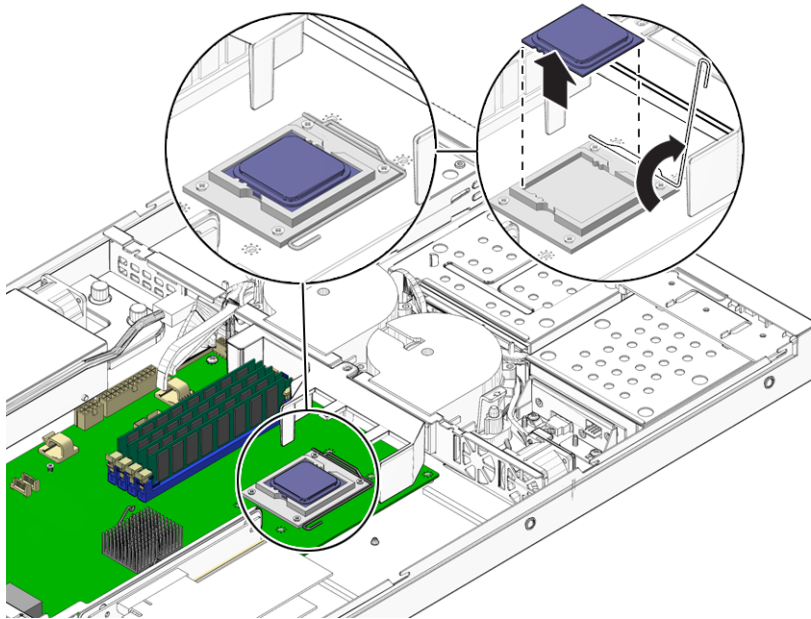


FIGURE 4-33 Removing the CPU

9. Lift the CPU out of the socket, leaving the release lever in the open position.

Note – Ensure that no thermal grease that might be left from the heatsink comes into contact with the CPU socket or underside of the CPU chip.

4.5.12.2 Installing a CPU and Heatsink

Follow these steps to install a CPU and heatsink if you are replacing a CPU.



Caution – Observe the appropriate ESD precautions in [Section 4.2.1, “ESD Precautions”](#) on page 4-2 when handling the CPU.

1. Unpack the new CPU.
2. Ensure that the socket release lever is in the fully open, perpendicular position and the CPU cover is open (see [FIGURE 4-34](#)).
3. Align the small triangle, on the upper left corner of the CPU, with the triangle on the corner of the socket.

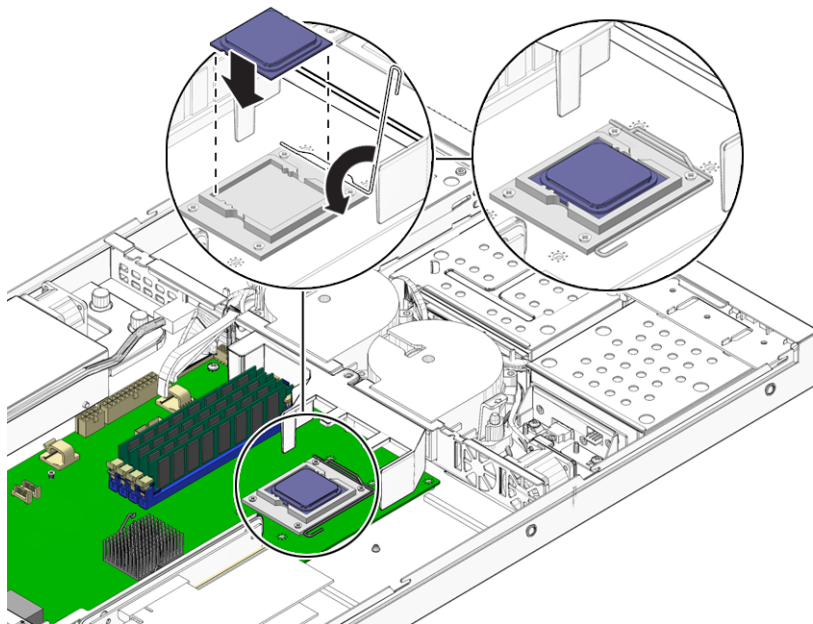


FIGURE 4-34 Installing the CPU

4. Insert the CPU into the socket.



Caution – If the CPU is correctly aligned, you should be able to easily insert the CPU into the socket. If you feel more than minimal resistance, stop and recheck the alignment. Forcing a misaligned CPU into the socket can permanently damage the device.

5. **When the CPU is fully seated in the socket, close the CPU cover.**

The CPU cover might not align correctly with the chip, after it is installed. If this happens open the cover, and push it slightly to the side to better align it with the chip, and reclose the cover.

6. **Rotate the socket release lever down until it snaps into place, securing the CPU in the socket.**

7. **Use the syringe to apply approximately 0.1 ML/CC of thermal grease in a circular pattern to the top of the CPU.**

8. **Gently distribute the thermal grease and remove any excess so that only an extremely thin, uniform layer remains. If any voids or crevices appear that could lead to air pockets, reapply the grease until you achieve a thin but compact consistency.**

9. **Use an alcohol pad to remove all thermal grease from the bottom of the heatsink.**

10. **Inspect the heatsink for dust and lint. Clean if necessary.**

11. **Carefully position the heatsink on the CPU, aligning it with the mounting posts to reduce movement after it makes initial contact with the layer of thermal grease.**



Caution – If the heatsink is moved too much during its installation, the layer of thermal grease may become uneven, leading to component damage.

12. **Fasten the four screws attaching the heatsink to the motherboard. See [FIGURE 4-35](#).**

13. **Replace the air duct. See [Section 4.5.6, “Replacing an Air Duct”](#) on page 4-22.**

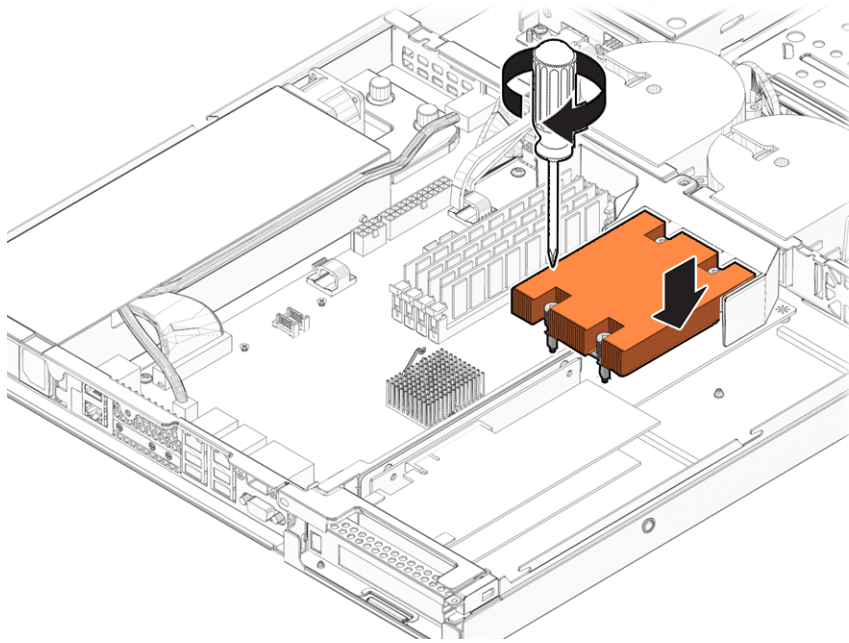


FIGURE 4-35 Installing the Heatsink

14. Reinstall the cover.

4.5.13 Replacing Cables

FIGURE 4-36 and FIGURE 4-37 shows the routing of the cables and motherboard connector locations.

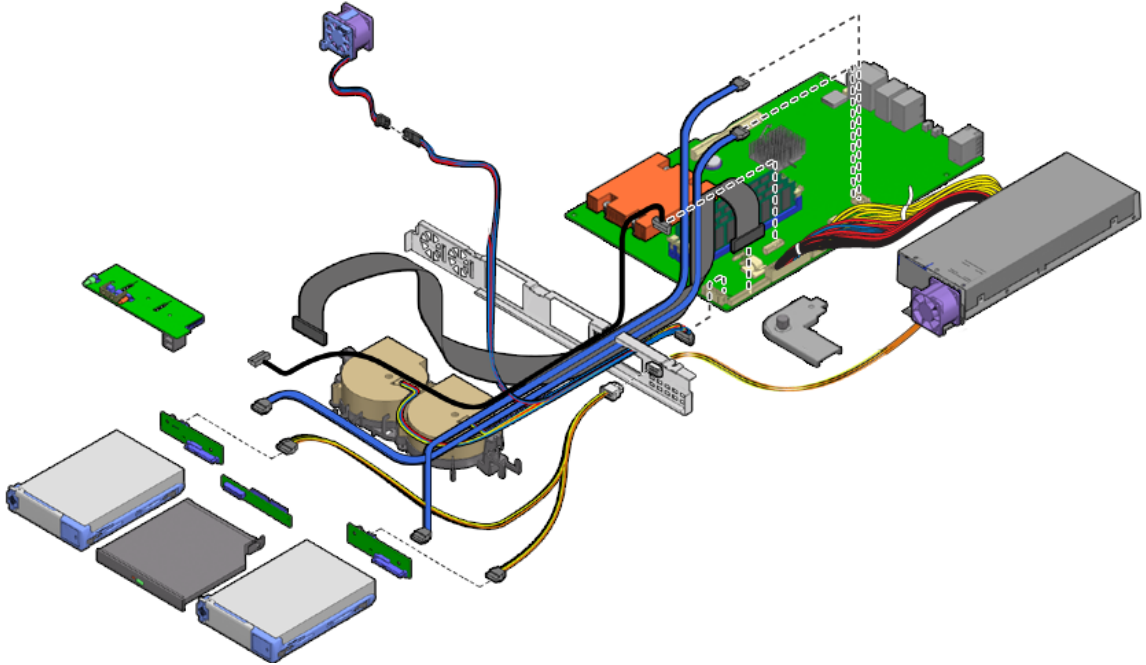


FIGURE 4-36 Cable Routing Diagram

The following table describes the cables that are included with the associated component replacement kits.

TABLE 4-2 Component Kit Cables

Component Kit	Cables Included
Cable kit	ODD signal, hard drive power, I/O board signal
Dual blower kit	Fan harness
SATA cable kit	SATA signal cable
Power supply kit	Power supply cable

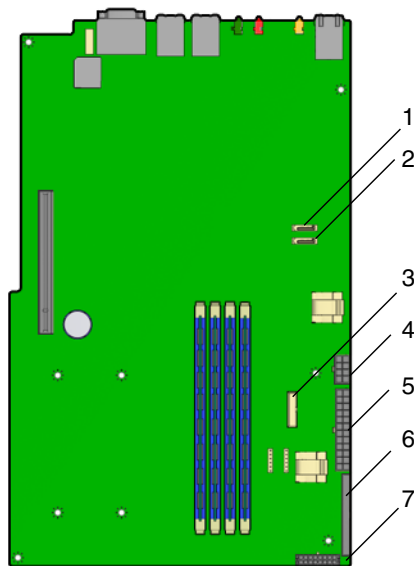


FIGURE 4-37 Motherboard Cable Connections

TABLE 4-3 Motherboard Cable Connections

Label	Label		
1	SATA 1	5	J17 - power supply
2	SATA 0	6	J29 - ODD connector
3	JP5 - I/O board connector	7	JP8 - 16 pin fan connector
4	J13 - power supply		

4.5.14 Replacing the Motherboard

The following procedures describe how to remove and install the Sun Fire X2100 M2 server system motherboard.

Note – The motherboard is not a CRU and should be replaced only by trained field service technicians.

4.5.14.1 Removing the Motherboard

To remove the motherboard:

1. Power off the system and remove the cover as described in [Section 4.3, “Powering Off the Server and Removing the Cover”](#) on page 4-3.
2. Remove the PCIe card riser installed on the motherboard (see [Section 4.5.2, “Replacing the PCIe Card and Riser Assembly”](#) on page 4-9) and the air duct (see [Section 4.5.6, “Replacing an Air Duct”](#) on page 4-22).
3. Disconnect all cables attached to the motherboard.
4. Remove the four screws from the heatsink.

Note – Do not remove the screws that secure the CPU heatsink assemblies mounting to the motherboard.

5. Remove the five Phillips screws that fasten the motherboard to the chassis.
6. Remove the screws attaching the serial connector to the chassis with a 5 mm nut driver.

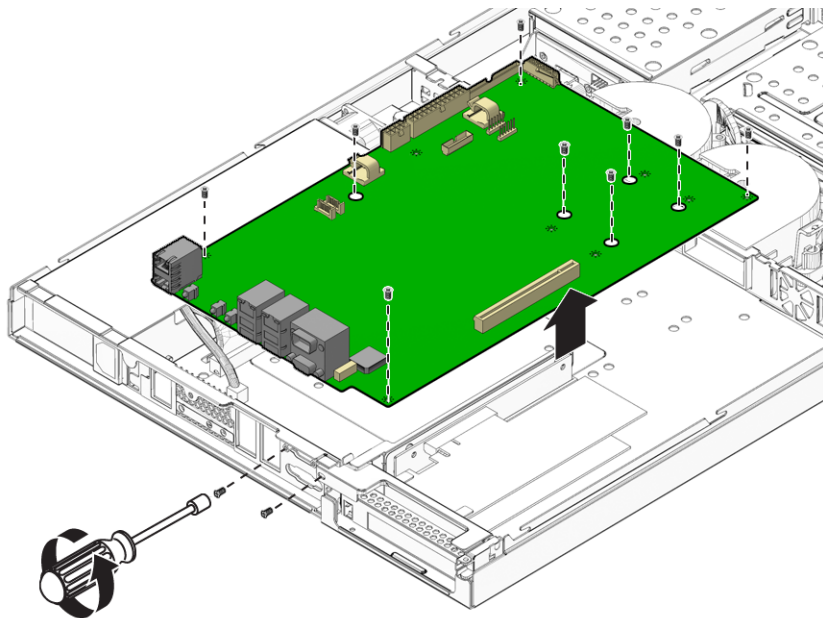


FIGURE 4-38 Removing the Motherboard

7. Pull the motherboard away from the chassis.
8. Remove the CPU and memory modules.

Refer to the following sections for information on removing and replacing the CPU and memory:

- [Section 4.5.12, “Replacing a CPU and Heatsink” on page 4-38](#)
- [Section 4.5.10, “Replacing Memory Modules” on page 4-31](#)

4.5.14.2 Installing the Motherboard

To install a motherboard:



Caution – Observe proper ESD precautions in [Section 4.2.1, “ESD Precautions” on page 4-2](#) when handling the new motherboard.

1. Center the motherboard on the chassis so that the screw holes in the motherboard align with the screw holes on the chassis.
2. Secure the five Phillips screws that fasten the motherboard to the chassis. Torque screws to 8- to 9-inch pounds.
3. Secure the screws attaching the serial connector to the chassis with a 5 mm nut driver.

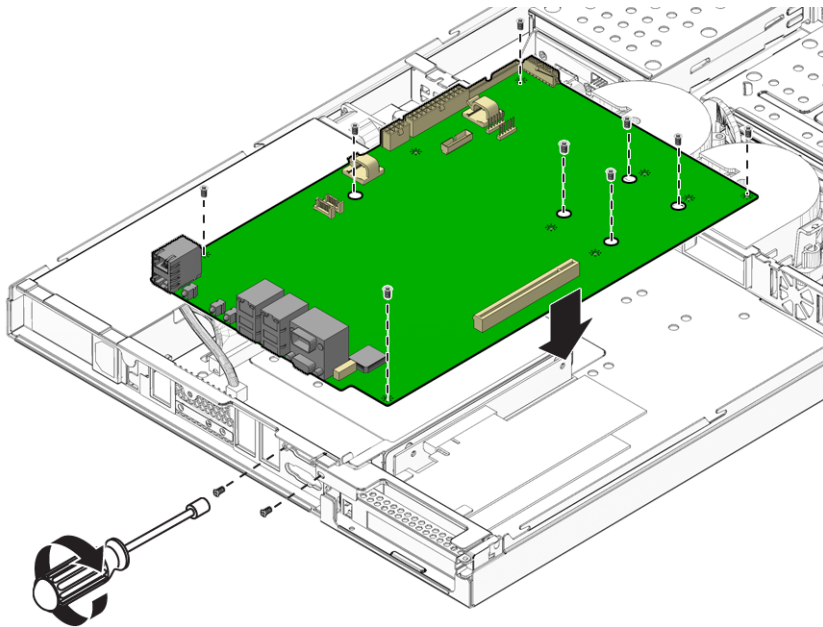


FIGURE 4-39 Installing the Motherboard

4. Replace the CPU and DIMMs as necessary.

Refer to the following sections for information on removing and replacing the CPU and memory:

- [Section 4.5.12, “Replacing a CPU and Heatsink” on page 4-38](#)
- [Section 4.5.10, “Replacing Memory Modules” on page 4-31](#)

5. Replace the PCIe riser assembly and air baffle.

- See [Section 4.5.2, “Replacing the PCIe Card and Riser Assembly” on page 4-9](#).
- See [Section 4.5.6, “Replacing an Air Duct” on page 4-22](#)

6. Reconnect all internal system cables.

See [Section 4.5.13, “Replacing Cables” on page 4-43](#).

7. Replace the system cover.

8. Replace any external cables and power on the server.

System Specifications

This Appendix contains physical, power, and environmental specifications for the Sun Fire X2100 M2 server, as well as pinout information for the serial connector.

A.1 Physical Specifications

[TABLE A-1](#) lists the physical specifications for the Sun Fire X2100 M2 server

TABLE A-1 Sun Fire X2100 M2 Server Physical Specifications

Specification	British	Metric
Width	16.8 inches	425.5 mm
Depth	25 inches	633.7 mm
Height	1.69 inches	43 mm
Weight (max.)	23.50 lbs	10.66 kg

A.2 Power Specifications

Power specifications for Sun Fire X2100 M2 server are as follow:

- Single power supply
- UL maximum (AC input) 6.5 amps
- Power supply rating (max. DC output) 345 W

A.3 Environmental Specifications

Environmental specifications for the Sun Fire X2100 M2 server are shown in [TABLE A-2](#).

TABLE A-2 Sun Fire X2100 M2 Server Environmental Specifications

Specification	State	British	Metric
Humidity	Operating	7%–93% RH non-condensing, 80.6° F max wet bulb	7%–93% RH non-condensing, 38° C max wet bulb
	Nonoperating	93% RH, non-condensing, 100.4° F max wet bulb	93% RH, non-condensing, 43° C max wet bulb
Vibration	Operating	0.12 G x-y, 0.17 G z; 5–500 Hz sine	
	Nonoperating	0.3 G x-y, 0.6 G z; 5–500 Hz sine	
Shock	Operating	4.5 G to 3.5 G; 11 msec. half-sine	
	Nonoperating		
Temperature	Operating	36° F to 100° F	2° C to 38° C
	Nonoperating	-40° F to 154° F	-40° C to 68° C
Maximum operating temperature derating		-1.8° F for every 985 ft. in altitude	-1° C for every 300 m in altitude
Altitude	Operating	max 9,843 ft	max 3,000 m

A.4 Serial Connector Pinout

The serial port connector is a DB-9 type connector located on the back panel.

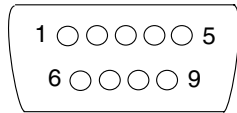


FIGURE A-1 Serial Port Connector Pin Configuration

TABLE A-3 Serial Port Connector Pin Assignments

Pin	Signal	Description
1	DCD	Carrier detect
2	RXD	Receive data
3	TXD	Transmit data
4	DTR	Data terminal ready
5	GND	Ground
6	DSR	Data set ready
7	RTS	Request to send
8	CTS	Clear to send
9	RI	Ring indicator

Using the Tools and Drivers CD

This chapter contains information on the Sun Fire X2100 M2 Server Tools and Driver CD. It contains information on the following topics:

- [Section B.1, “Tools and Drivers CD Contents” on page B-1](#)
- [Section B.2, “Updating BIOS and BMC Firmware” on page B-2](#)
- [Section B.3, “Booting the Tools and Drivers CD from a PXE Server” on page B-6](#)
- [Section B.4, “Broadcom NetXtreme Software” on page B-9](#)

B.1 Tools and Drivers CD Contents

The Tools and Drivers CD contains several software applications and utilities for use with your Sun Fire X2100 M2 server. [TABLE B-1](#) lists the contents of the CD and shows where to find more information on the contents.

TABLE B-1 Tools and Drivers CD Contents

Application	Document or Section in this Document
Drivers and installation scripts for supported operating systems	<i>Sun Fire X2100 M2 Server Operating System Installation Guide</i>
BIOS/BMC firmware	Section B.2, “Updating BIOS and BMC Firmware” on page B-2
Diagnostics software	Chapter 3
Windows RIS files	<i>Sun Fire X2100 M2 Server Operating System Installation Guide</i>
Broadcom NetXtreme software	Section B.4, “Broadcom NetXtreme Software” on page B-9

B.2 Updating BIOS and BMC Firmware

You can update the BIOS and BMC firmware from the Tools and Drivers CD.

To update the BIOS and system BMC (service processor), use one of the following methods.

- [Local Sun Fire X2100 M2 Server DVD Drive](#)
- [tftp Using CLI](#)
- [Embedded LOM WebGUI](#)

To recover a corrupt BMC, refer to the *Embedded Lights Out Manager Administration Guide*.

B.2.1 Local Sun Fire X2100 M2 Server DVD Drive

To update the BIOS and BMC from the local Sun Fire X2100 M2 server DVD drive:

- 1. Insert the Tools and Drivers CD into the Sun Fire X2100 M2 server DVD drive.**
- 2. Reboot the server.**
- 3. When the Tools and Drivers CD menu is displayed, select Upgrade System BIOS and SP firmware from the menu.**

The BIOS and BMC will be updated to the latest versions and the system will automatically reboot. The BIOS will automatically load the optimized defaults.

- 4. Do the following after the firmware is updated:**

- Verify the BIOS settings.

Because the BIOS optimized defaults are automatically loaded when the BIOS is flashed, you might need to reset some of the BIOS settings.

For example, if the BIOS was previously modified to support RAID, you must re-enable RAID support in the BIOS after flashing it.

- Verify the BIOS setting for Installed OS.

The default OS setting is for Solaris and Linux. See the *Sun Fire X2100 M2 Server Operating System Installation Guide* for instructions on changing the BIOS settings.

B.2.2 tftp Using CLI

1. Set up a tftp server to host the BIOS/BMC image.

Instructions for setting up the tftp server can be found in the system administration guides for the appropriate Solaris or Linux version:

- Solaris 10 manual at:

<http://docs.sun.com/app/docs/doc/817-5504>

- Red Hat Enterprise Linux 3 manual at:

<http://www.redhat.com/docs/manuals/enterprise/RHEL-3-Manual/sysadmin-guide/>

- Red Hat Enterprise Linux 4 manual at:

<http://www.redhat.com/docs/manuals/enterprise/RHEL-4-Manual/sysadmin-guide/>

- SUSE Linux Enterprise Server 9 manual at:

http://www.novell.com/documentation/sles9/pdfdoc/sles_9_admin_guide/sles_9_admin_guide.pdf

2. Copy the combined BIOS/BMC image from the `/remoteflash/version/bios_bmc_file` file on the Tools and Drivers CD to your tftp server `/tftpboot` directory.

Where *version* is the version of the Tools and Drivers CD that you are using and *bios_bmc_file* is the name of the BIOS/BMC image.

For example: `/remoteflash/1.0/90_3A02`

3. Ensure that the OS on the platform is shut down.

4. Log onto the Sun Fire X2100 M2 Embedded LOM CLI and `cd` into the Tftpupdate:

```
/SP -> cd TftpUpdate
```

5. Run the following commands from TftpUpdate:

```
/SP/TftpUpdate ->set ServerIPAddress=IP address of tftp server
```

```
/SP/TftpUpdate ->set FileName=bios_bmc_file.bin
```

```
/SP/TftpUpdate -> set Update=action
```

The BIOS and BMC firmware are updated.

Note – During the upgrade process, the login prompt will appear. Please do not attempt to login until the flash update has completed.

6. If an OS is running on the Sun Fire X2100 M2 server that has been updated, reboot the Sun Fire X2100 M2 server in order for the BIOS and BMC updates to take effect.

The tftp download will start and you will see the following output.

```
getting image...
getting image successfully.
prepare to update...
Prepare OK!
starting update...
starting up ttys0 (irq 1)...i2c_eeprom_write(02 03 A0 0000 * 020C)
64(0040)=I2cMWrite(03 A0 * 0002 * 0040)
SEEP Write offset 0 ok !!!
64(0040)=I2cMWrite(03 A0 * 0002 * 0040)
SEEP Write offset 64 ok !!!
64(0040)=I2cMWrite(03 A0 * 0002 * 0040)
SEEP Write offset 128 ok !!!
64(0040)=I2cMWrite(03 A0 * 0002 * 0040)
SEEP Write offset 192 ok !!!
64(0040)=I2cMWrite(03 A0 * 0002 * 0040)
SEEP Write offset 256 ok !!!
64(0040)=I2cMWrite(03 A0 * 0002 * 0040)
SEEP Write offset 320 ok !!!
64(0040)=I2cMWrite(03 A0 * 0002 * 0040)
SEEP Write offset 384 ok !!!
64(0040)=I2cMWrite(03 A0 * 0002 * 0040)
SEEP Write offset 448 ok !!!
12(000C)=I2cMWrite(03 A0 * 0002 * 000C)
SEEP Write offset 512 ok !!!
12(000C)=I2cMWrite(03 A0 * 0002 * 000C)
SEEP Write offset 512 ok !!!
```

B.2.3 Embedded LOM WebGUI

This method uses the Embedded LOM SP to flash the BIOS and BMC. See the *Embedded Lights Out Manager Administration Guide* for more information on setting up and using the Embedded LOM software.

1. Start the Embedded LOM SP web GUI by typing the IP address of the SP into a browser.

See the *Embedded Lights Out Manager Administration Guide* for instructions on using the Embedded LOM web GUI

2. **Copy the file `/remoteflash/version/bios_bmc_file` from the remoteflash directory located on the Tools and Drivers CD to the remote system that is running the Embedded LOM Web GUI.**

Where *version* is the version of the Tools and Drivers CD that you are using and *bios_bmc_file* is the name of the BIOS/BMC image.

For example: `/remoteflash/1.0/90_3A02`

3. **Log in to the SP.**
4. **Click on Control and select Firmware Update from the drop-down menu.**
The Firmware Update screen is displayed.
5. **Click Browse and navigate to the location of the flash file.**
6. **Click Update.**

The BIOS and BMC firmware on the Sun Fire X2100 M2 server will be updated.

B.3 Booting the Tools and Drivers CD from a PXE Server

If you have a Sun Fire X2100 M2 server that does not have a DVD drive, you can run the Pc-Check diagnostics and flash the BIOS from a Preboot Execution Environment (PXE) server.

The following topics are included in this section:

- Section B.3.1, “Setting up the Tools and Drivers CD Image on the PXE Server” on page B-6
- Section B.3.2, “Accessing the Tools and Drivers CD From the Target Sun Fire X2100 M2 Server” on page B-9

B.3.1 Setting up the Tools and Drivers CD Image on the PXE Server

You will need the following to set up the PXE server:

- Red Hat kickstart server with a CD or DVD drive

Instructions for setting up the Red Hat kickstart server can be found in the system administration guides for Red Hat Enterprise Linux:

- Red Hat Enterprise Linux 3 manual at <http://www.redhat.com/docs/manuals/enterprise/RHEL-3-Manual/sysadmin-guide/>
- Red Hat Enterprise Linux 4 manual at <http://www.redhat.com/docs/manuals/enterprise/RHEL-4-Manual/sysadmin-guide/>
- Sun Fire X2100 M2 Server Tools and Drivers CD
- MEMDISK kernel from the SYSLINUX project. Access this kernel at <http://www.kernel.org/pub/linux/utils/boot/syslinux/>

To set up the PXE server:

1. **Log in to the PXE server as root (superuser).**
2. **Determine the directory where the Red Hat image is installed on the PXE server.**

The default directory for the PXE image is usually `/tftpboot/linux-install`. The remainder of this procedure assumes that the PXE files have been installed in this directory.

Note – If your PXE files are not installed in the `/tftpboot/linux-install` directory, modify the procedure as necessary.

3. Make a directory for the Sun Fire X2100 M2 Server Tools and Drivers CD contents.

```
# mkdir /tftpboot/linux-install/suppl_leo
```

4. Insert the Sun Fire X2100 M2 Server Tools and Drivers CD into the PXE server, and copy the `boot.img` file located in the root directory of the CD to the new Sun Fire X2100 M2 server supplemental directory created in [Step 3](#).

```
# cp /mnt/cdrom/boot.img /tftpboot/linux-install/suppl_leo
```

5. Download the MEMDISK kernel.

a. Go to the latest SYSLINUX project web site at:

<http://www.kernel.org/pub/linux/utils/boot/syslinux/>

b. Save the latest `syslinux-version.zip` file to your root directory.

Where *version* is the latest SYSLINUX project version.

Note – Version 3.09 was the latest version at the time of this writing.

6. Unzip the zip file.

For example:

```
# unzip syslinux-3.09.zip
```

7. Change to the `memdisk` directory.

For example:

```
# cd /syslinux-3.09/memdisk
```

8. Copy the memdisk kernel to the new Sun Fire X2100 M2 Server Tools and Drivers Directory created in [Step 3](#).

For example:

```
# cp /syslinux-3.09/memdisk/memdisk /tftpboot/linux-install/suppl_leo
```

9. Edit the Boot Message Screen as follows.

- a. Open the `boot.msg` file in a text editor.

```
# vi /tftpboot/linux-install/messages/boot.msg
```

- b. Type the following line after 0-Local Machine.

```
suppl_leo - Sun Fire X2100 M2 Server Tools and Drivers CD
```

- c. Save and close the `boot.msg` file.

10. Edit the default PXE Configuration file as follows.

- a. Open the `default` file in a text editor.

```
# vi /tftpboot/linux-install/pxelinux.cfg/default
```

- b. Type the following lines after the `label0` section:

```
label suppl_leo
kernel suppl_leo/memdisk
append initrd=suppl_leo/boot.img
```

- c. Save and close the `default` file.

11. Test the installation on the test machine.

B.3.2 Accessing the Tools and Drivers CD From the Target Sun Fire X2100 M2 Server

You will need the following to run diagnostics on a target Sun Fire X2100 M2 server:

- PXE server configured as shown in [Section B.3.1, “Setting up the Tools and Drivers CD Image on the PXE Server”](#) on page B-6.
- Sun Fire X2100 M2 server set up on the same network as the PXE server.

1. **Connect the Sun Fire X2100 M2 server to the same network as the PXE server.**
2. **Power on (or reboot) the Sun Fire X2100 M2 server.**
3. **Press the F12 key during POST.**
4. **The Boot Message Screen located on your PXE server at `/tftpboot/linux-install/msgs/boot.msg` displays on the screen.**

5. **Type `suppl_1eo` at the prompt and press Return.**

The MEMDISK kernel and the bootable portion of the Tools and Drivers CD are downloaded to the test machine over the network and into memory.

Once downloaded, the bootable portion of the Tools and Drivers CD will be booted.

6. **The main menu of the bootable portion of the Tools and Drivers CD is displayed on the target Sun Fire X2100 M2 server.**
7. **You can now run the hardware diagnostics or update the System BIOS.**
See [Chapter 3](#) for information on running Pc-Check diagnostics software.

B.4 Broadcom NetXtreme Software

Included on the Tools and Drivers CD is software from Broadcom for specific management applications for Windows only.

- Broadcom advanced control suite
- BASP (Intermediate Driver for VLAN and Teaming)
- SNMP sub-agent
- SIM provider
- DMI PCI service provider

To install the software from a Windows Server 2003 Sun Fire X2100 M2 server:

1. Navigate to the following directory on the Tools and Drivers CD:
`d:\tools_&_driver_1.0\drivers\windows\broadcomNIC\Launch.exe`
2. Double-click `Launch.exe`.
3. Click **Management Applications** and follow the install wizard.
4. Click the **Users Guide** button in the **Broadcom NetXtreme** software for information about the software.

After the management software is installed you can run it as follows:

5. Start -> **Broadcom** -> **Broadcom Advanced Control Suite 2**

Please note the following considerations when using the teaming feature of the Broadcom software:

- Teaming two NVIDIA NICS or one NVIDIA NICS and one Broadcom NIC is not recommended but will work. See [FIGURE 1-2](#) for the location of the NVIDIA and Broadcom NICs.
- One of the Broadcom NICs is shared with the SP. Including two Broadcom NICs as a team will disrupt the SP management feature. For more information, refer to the users guide included with the Broadcom software.

Installing the Server Into a Rack With Optional Slide Rails

Perform the procedures in this chapter to install your server into a four-post rack using the orderable slide rail and cable management arm options. These slide rails are compatible with a wide range of equipment racks that meet the following standards:

- Four-post structure (mounting at both front and rear). Two-post racks are not compatible.
- Rack horizontal opening and unit vertical pitch conforming to ANSI/EIA 310-D-1992 or IEC 60927 standards.
- Distance between front and rear mounting planes of 610 mm and 915 mm (24 inches to 36 inches).
- Clearance depth (to front cabinet door) in front of front rack mounting plane at least 25.4 mm (1 inch).
- Clearance depth (to rear cabinet door) behind front rack mounting plane at least 800 mm (31.5 inches) with the cable management arm, or 700 mm (27.5 inches) without the cable management arm.
- Clearance width (between structural supports and cable troughs) between front and rear mounting planes at least 456 mm (18 inches).



Caution – Always load equipment into a rack from the bottom up so that it will not become top-heavy and tip over. Deploy your rack’s anti-tilt bar to prevent the rack from tipping during equipment installation.



Caution – Ensure that the temperature in the rack does not exceed the server’s maximum ambient rated temperatures. Consider the total airflow requirements of all equipment installed in the rack, to ensure that the equipment is operated within its specified temperature range.

C.1 Disassembling the Slide Rails Before Installation

Use this procedure to remove the mounting brackets from the slide-rail assemblies.

1. **Unpack the slide rails.**
2. **Locate the slide rail lock at the front of one of the slide rail assemblies, as shown in [FIGURE C-1](#).**
3. **Squeeze and hold the tabs at the top and bottom of the lock while you pull the mounting bracket out of the slide-rail assembly until it reaches the stop. (See [FIGURE C-1](#)).**
4. **Push the mounting bracket release button toward the front of the mounting bracket, as shown in [FIGURE C-1](#), and simultaneously withdraw the mounting bracket from the slide-rail assembly.**
5. **Repeat for the remaining slide-rail assembly.**

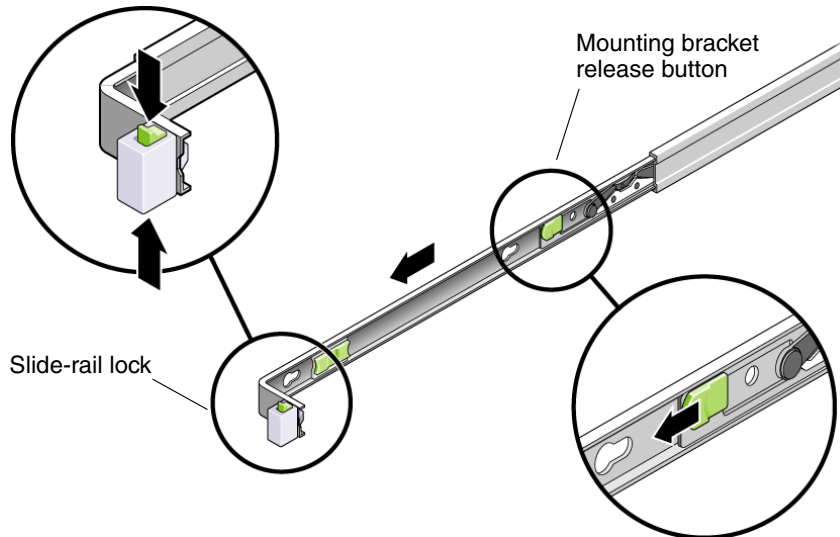


FIGURE C-1 Disassembling the Slide Rail Before Installation

C.2 Installing the Mounting Brackets Onto the Server

Use this procedure to install the mounting brackets onto the sides of the server.

1. Position a mounting bracket against the chassis so that the slide-rail lock is at the server front, and the three keyed openings on the mounting bracket are aligned with the three locating pins on the side of the chassis.

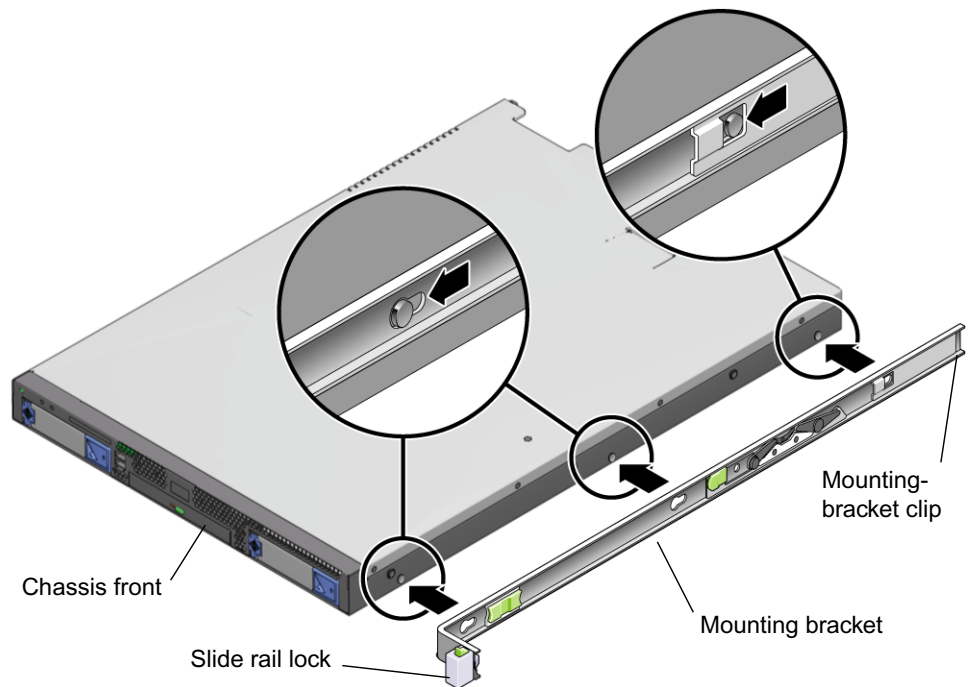


FIGURE C-2 Aligning the Mounting Bracket With the Server Chassis

2. With the heads of the three chassis locating pins protruding through the three keyed openings in the mounting bracket, pull the mounting bracket toward the front of the chassis until the mounting-bracket clip locks into place with an audible click. (See [FIGURE C-2](#).)
3. Verify that the rear locating pin has engaged the mounting-bracket clip. (See [FIGURE C-2](#).)
4. Repeat to install the remaining mounting bracket on the other side of the server.

C.3 Attaching the Slide-Rail Assemblies to the Rack

Use this procedure to install the slide-rail assemblies to the rack.

1. Position a slide-rail assembly in your rack so that the brackets at each end of the slide-rail assembly are on the outside of the front and rear rack posts. (See [FIGURE C-3](#).)
2. Attach the slide-rail assembly to the rack posts, but do *not* tighten the screws completely.

The method used to attach the slide rails varies, depending on the type of rack:

- If your rack has threaded mounting holes in the rack posts, first determine whether the threads are metric or standard, then insert the correct mounting screws through the slide-rail brackets and into the threaded holes.
- If your rack does not have threaded mounting holes, insert the mounting screws through both the slide-rail brackets and rack posts, then secure them with the caged nuts.

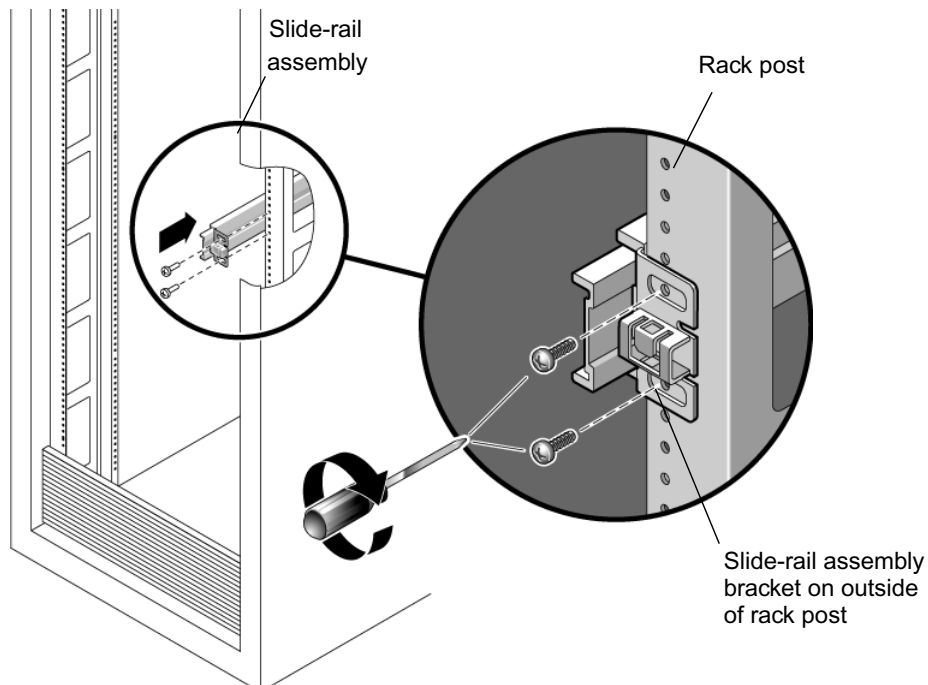


FIGURE C-3 Slide-Rail Assembly Mounting to Rack Post

3. Repeat [Step 1](#) and [Step 2](#) for the remaining slide-rail assembly.
4. From the front of the rack, set the proper width of the rails with the spacer. (See [FIGURE C-4](#).)

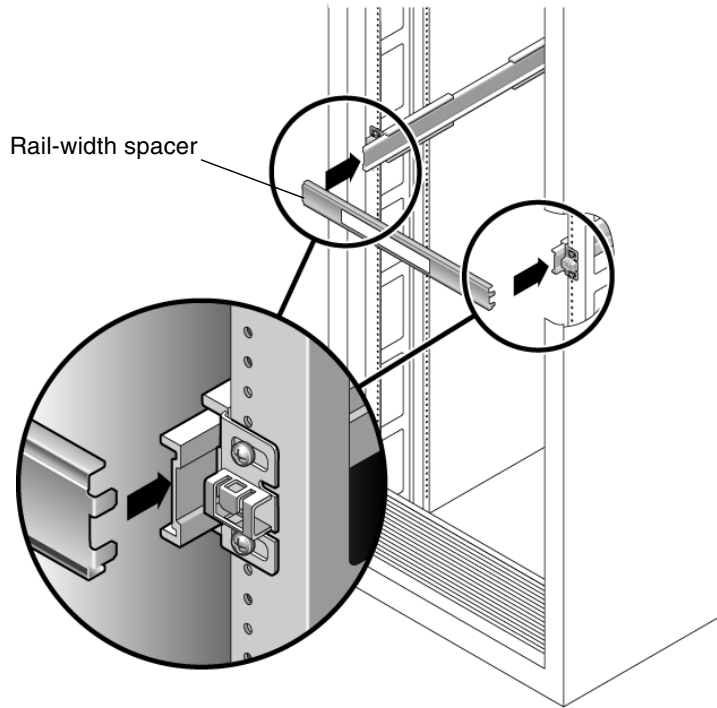


FIGURE C-4 Setting the Rail Width

5. Tighten the screws on the brackets.
6. Remove the spacer and confirm that the rails are attached tightly to the rack.
7. Repeat [Step 4](#) through [Step 6](#) for rear of the rack.

8. If available, extend the anti-tip foot at the bottom of the rack. (See [FIGURE C-5](#).)

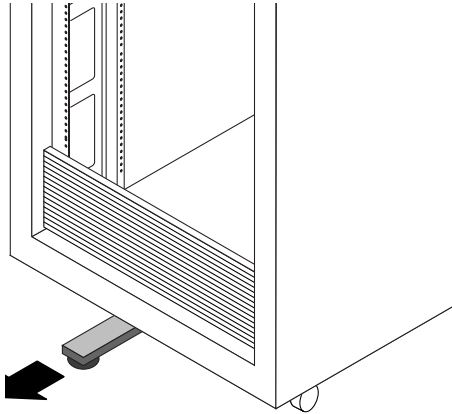


FIGURE C-5 Extending the Anti-tip Foot



Caution – If your rack does not have an anti-tip foot, there is some danger of the rack tipping.

C.4 Installing the Server Into the Slide-Rail Assemblies

Use this procedure to install the server chassis, with mounting brackets, into the slide-rail assemblies that are mounted to the rack.



Caution – This procedure requires a minimum of two people because of the weight of the server. Attempting this procedure alone could result in equipment damage or personal injury.



Caution – Always load equipment into a rack from the bottom up so that it will not become top-heavy and tip over. Deploy your rack's anti-tilt bar to prevent the rack from tipping during equipment installation.

1. Push the slide rails into the slide-rail assemblies in the rack as far as possible.
2. Raise the server so that the rear ends of the mounting brackets are aligned with the slide-rail assemblies that are mounted in the equipment rack. (See [FIGURE C-6.](#))
3. Insert the mounting brackets into the slide rails, then push the server into the rack until the mounting brackets encounter the slide-rail stops (approximately 12 inches, or 30 cm).

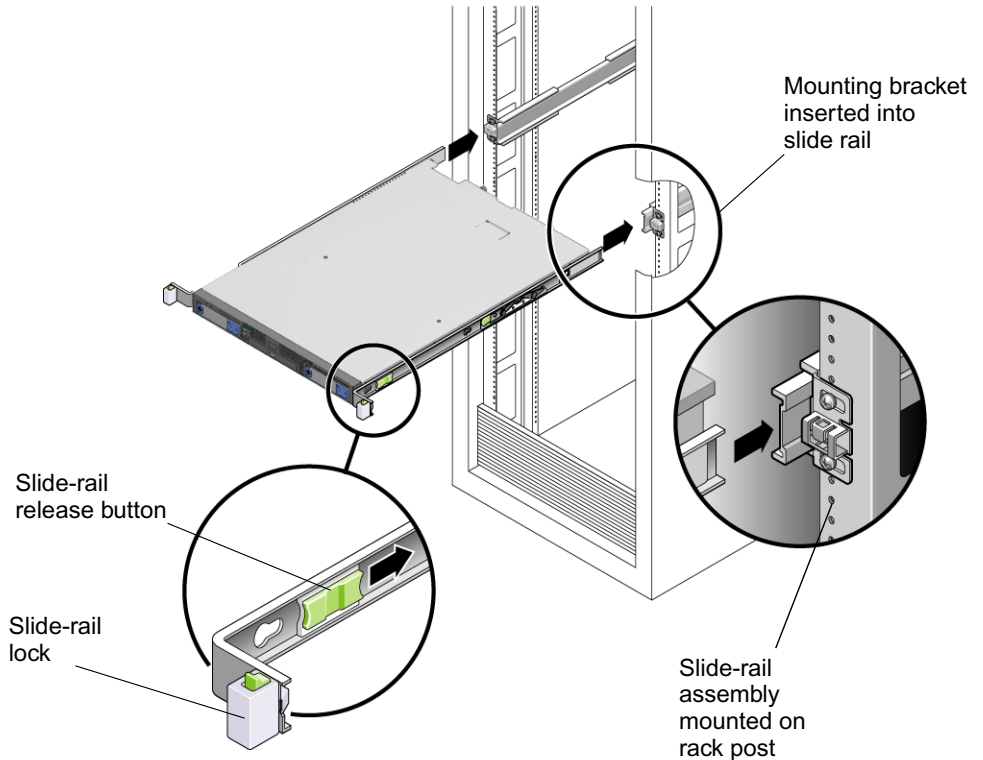


FIGURE C-6 Inserting the Server With Mounting Brackets Into the Slide Rails

4. Simultaneously push and hold the slide-rail release buttons on each mounting bracket while you push the server into the rack. (See [FIGURE C-6.](#)) Continue pushing until the slide-rail locks on the front of the mounting brackets engage the slide-rail assemblies.

You will hear an audible click.



Caution – Verify that the server is securely mounted in the rack and that the slide-rails locks are engaged with the mounting brackets before continuing.

C.5 Installing the Cable Management Assembly

Use this procedure to install an optional cable management assembly (CMA).

1. Unpack the CMA parts.
2. Take the CMA to the back of the equipment rack and ensure that you have adequate room to work around the back of the server.

Note – References to “left” or “right” in this procedure assume that you are facing the back of the equipment rack.

3. Locate the CMA rail extension and insert it into the left slide rail until the extension locks into place with an audible click. (See [FIGURE C-7](#).)

The CMA rail extension might be taped to the CMA assembly.

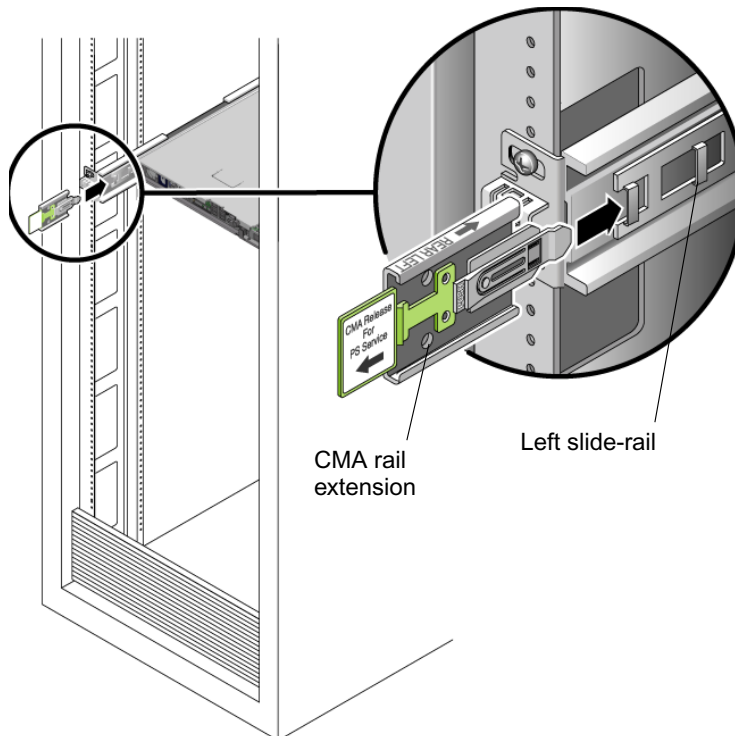


FIGURE C-7 Inserting the CMA Rail Extension Into the Back of the Left Slide Rail

4. Verify that the CMA rail extension engages the slide rail, as shown in [FIGURE C-8](#).

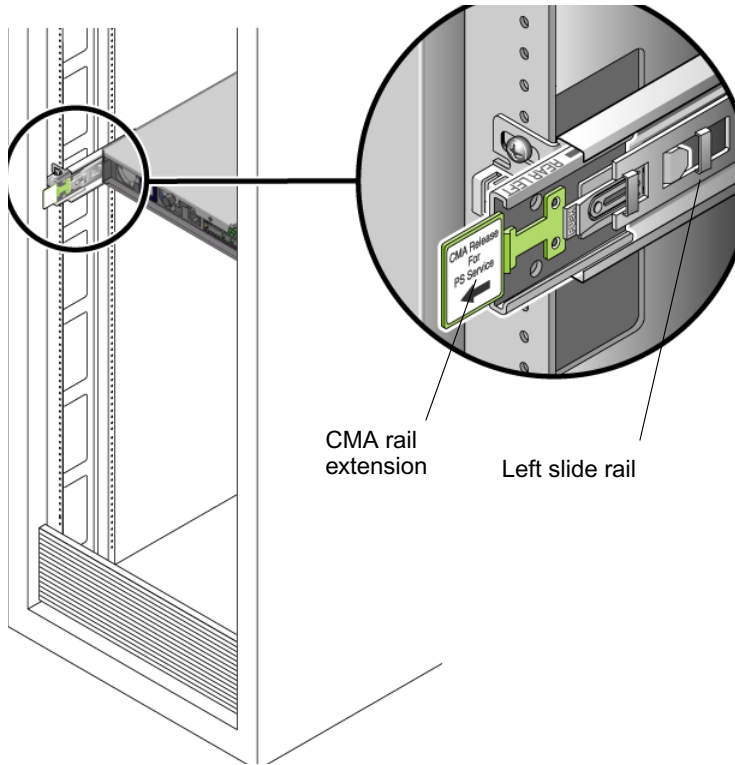


FIGURE C-8 Detail of CMA Rail Extension Inserted Into the Left Slide Rail

Note – Support the CMA in the remaining installation steps. Do not allow the assembly to hang by its own weight until it is secured by all three of the attachment points.

5. Insert the CMA's mounting bracket connector into the right slide rail until the connector locks into place with an audible click. (See [FIGURE C-9](#).)

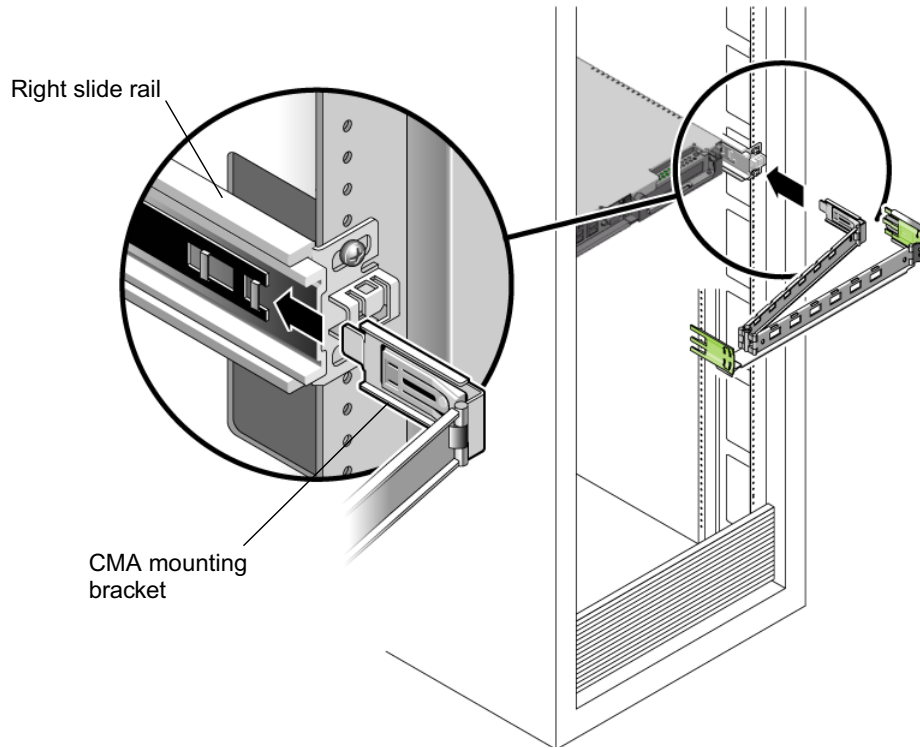


FIGURE C-9 Inserting the CMA Mounting Bracket Into the Back of the Right Slide Rail

6. Insert the right CMA slide-rail connector into the right slide-rail assembly until the connector locks into place with an audible click. (See [FIGURE C-10](#).)

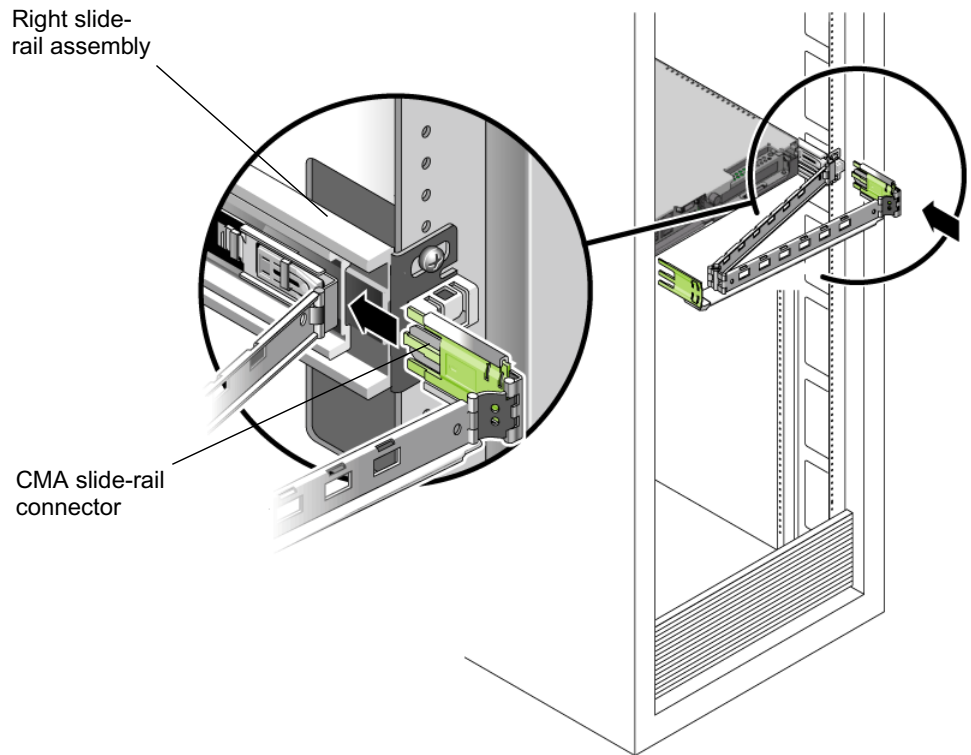


FIGURE C-10 Inserting CMA Slide-Rail Connector Into Back of Right Slide-Rail Assembly

7. Insert the left CMA slide-rail connector into the rail extension on the left slide-rail assembly until the connector locks into place with an audible click. (See [FIGURE C-11.](#))

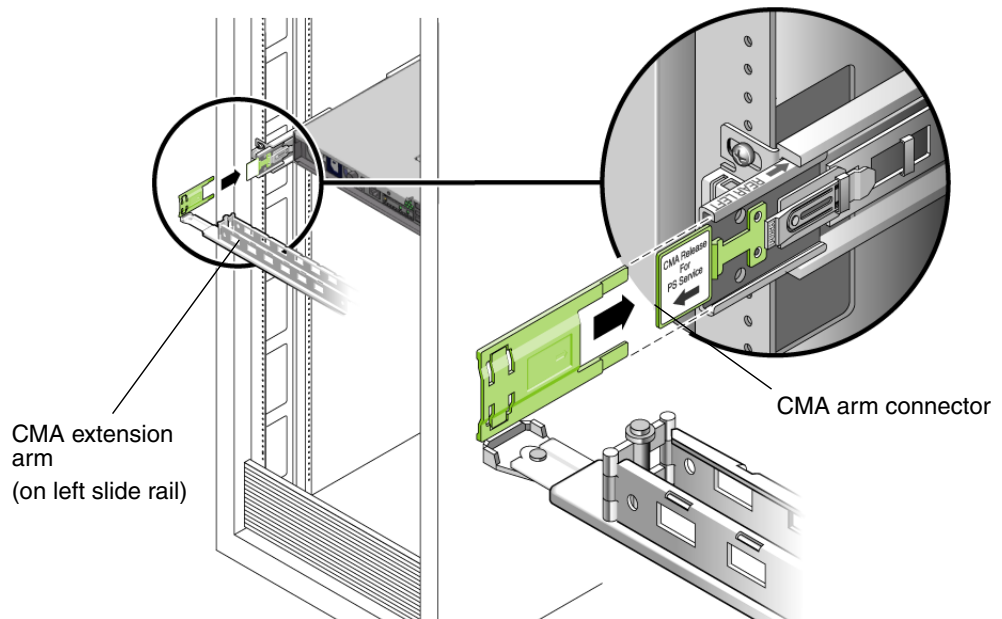


FIGURE C-11 Connecting the CMA Arm to Rail Extension Connector

8. Position the cable hangers in the appropriate mounting holes in the CMA and snap them into place. (See [FIGURE C-12](#).)

For best results, place three hangers, evenly spaced, on the rear-facing side of the CMA and three on the side facing the server.

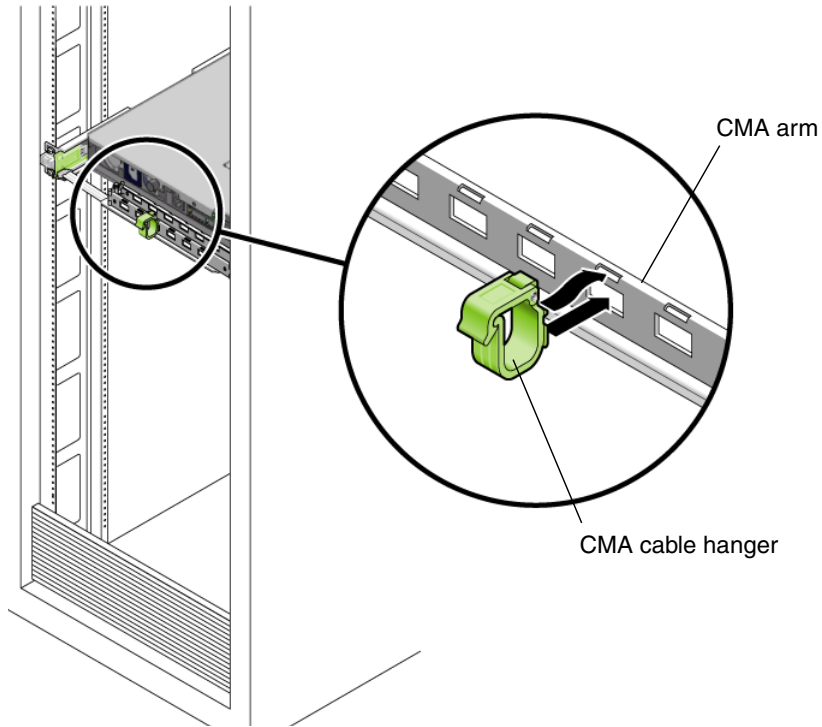


FIGURE C-12 Installing CMA Cable Hangers

9. Install cables to your server, as required.
10. Route the cables through the CMA cable hangers.

C.6 Verifying Operation of the Slide Rails and CMA

Use this procedure to ensure that the slide rails and CMA are operating correctly.

Note – Two people are recommended for this procedure: one to move the server in and out of the rack, and one to observe the cables and CMA.

1. Slowly pull the server out of the rack until the slide rails reach their stops.
2. Inspect the attached cables for any binding or kinks.
3. Verify that the CMA extends fully from the slide rails.
4. Push the server back into the rack, as described below.

When the server is fully extended, you must release two sets of slide-rail stops to return the server to the rack:

- a. The first set of stops are levers, located on the inside of each slide rail, just behind the back panel of the server. These levers are labeled "PUSH." Push in both levers simultaneously and slide the server toward the rack.

The server will slide in approximately 15 inches (38 cm) and stop.

Verify that the cables and the CMA retract without binding before continuing.

- b. The second set of stops are the slide rail release buttons, located near the front of each mounting bracket. See [FIGURE C-6](#). Simultaneously push or pull both of the slide-rail release buttons and push the server completely into the rack until both slide-rail locks engage.

5. Adjust the cable hangers and CMA as required.

Index

A

air duct

- location, 1-7, 4-5
- replacing, 4-22

altitude specifications, A-2

B

battery

- location, 1-7, 4-5
- replacing, 4-35

BIOS firmware

- updating with Embedded LOM WebGUI, B-4
- updating with local DVD drive, B-2
- updating with tftp using CLI, B-3

blower module

- location, 1-7, 4-5
- replacing, 4-28

BMC firmware

- updating with Embedded LOM WebGUI, B-4
- updating with local DVD drive, B-2
- updating with tftp using CLI, B-3

Broadcom Ethernet connectors, 1-6

Broadcom NetXtreme software, B-9

C

cable management assembly, C-9

cables

- connector locations, 4-44
- replacing, 4-43

CD or DVD problems, troubleshooting, 2-4

CMA assembly, C-9

components

orderable, 1-10

replacement procedures, 4-6

cover removal, 4-3

CPU

- location, 1-7, 4-5
- replacing, 4-38
- specifications, 1-2

customer orderable components, 1-10

customer replaceable unit replacement procedures, 4-6

D

depth of system, A-1

diagnostic partition

accessing

- Red Hat Linux, 3-13
- Solaris 10, 3-15
- Windows XP, 3-16

adding, 3-12

log file, 3-12

removing, 3-10

diagnostics, B-6

advanced diagnostics option, 3-4

deferred burn-in testing option, 3-9

hard disk testing, 3-6

immediate burn-in testing option, 3-7

main menu options, 3-2

PC-CHECK information, 3-18

print results reports option, 3-18

running from PXE server, B-6

show results summary option, 3-17

shut down option, 3-19

system information menu options, 3-3

DIMMs, see memory modules

DVD drive

location, 1-5, 1-7, 4-5

replacing, 4-19

E

Embedded Lights Out Manager, 1-4

environmental system specifications, A-2

ESD precautions, 4-2

F

fan module

location, 1-7, 4-5

replacing, 4-26

fault LED, 1-5, 1-6

features, 1-2

field replaceable unit replacement procedures, 4-6

firmware update, B-2

front panel, 1-5

H

hard disk drive

location, 1-5, 1-7, 4-5

troubleshooting, 2-5

hard disk drive, replacing, 4-12

HDD, see hard disk drive

heatsink

location, 1-7, 4-5

replacing, 4-38

height of system, A-1

humidity specifications, A-2

hung server, troubleshooting, 2-5

I

I/O board

location, 1-7, 4-5

replacing, 4-7

I/O options, 1-2

installation

ESD precautions, 4-2

postinstallation instructions, 4-3

precautions, 4-2

preinstallation instructions, 4-2

installing to a rack, C-1

internal components, 1-7, 4-5

J

Java Enterprise System, 1-3

K

keyboard, troubleshooting, 2-5

L

list of customer replaceable units (CRUs), 4-6

M

maintenance procedures

ESD precautions, 4-2

postinstallation precautions, 4-3

preinstallation instructions, 4-2

memory modules

location, 1-7, 4-5

population rules, 4-31

replacing, 4-31

specifications, 1-2

troubleshooting, 2-6

motherboard

cable connections, 4-44

replacing, 4-44

mouse, troubleshooting, 2-5

N

network I/O, 1-2

NVIDIA Ethernet connectors, 1-6

O

ODD drive

location, 1-7, 4-5

replacing, 4-19

operating system software, 1-3

P

PCI riser assembly

replacing, 4-9

PCI-Express card

location, 1-6, 1-7, 4-5

replacing, 4-9

specifications, 1-2

physical system specifications, A-1

power button, 1-5

power button LED, troubleshooting, 2-5

power connector, 1-6

- power LED, 1-5, 1-6
- power problems
 - troubleshooting, 2-4
- power supply
 - location, 1-7, 4-5
 - replacing, 4-24
- power system specifications, A-2
- powering off for service, 4-3
- precautions for installation, 4-2, 4-3
- preinstalled software, 1-3
- PXE server, B-6

R

- rack installation, C-1
- rear panel connectors, 1-6
- rear panel LEDs, 1-6
- Red Hat Enterprise Linux
 - accessing software, 1-3
 - supported versions, 1-3
- removing cover, 4-3

S

- serial connector
 - location, 1-6
 - pin configuration, A-3
- service processor firmware update, B-2
- shock specifications, A-2
- slide-rail installation, C-2
- Solaris 10 operating system, 1-3
- supported operating systems, 1-3
- SUSE Linux Enterprise Server
 - accessing software, 1-3
 - supported versions, 1-3
- system identification button, 1-5
- system identification LED, 1-5, 1-6
- system management software, 1-4
- system specifications
 - environmental, A-2
 - physical, A-1
 - power, A-2

T

- temperature specifications, A-2
- Tools and Drivers CD
 - BIOS and BMC firmware update, B-2

- booting from a PXE server, B-6
- Broadcom NetXtreme software, B-9
- software overview, 1-4
- tools for maintenance procedures, 4-1
- troubleshooting
 - CD or DVD media, 2-5
 - CD or DVD problems, 2-4
 - external device, 2-6
 - hard disk drive problems, 2-5
 - hung or frozen server, 2-5
 - keyboard, 2-5
 - memory modules, 2-6
 - mouse, 2-5
 - power button LED, 2-5
 - power problems, 2-4
 - procedures, 2-4
 - USB device, 2-4
 - video, 2-5

U

- USB connector, 1-5, 1-6
- USB device problems, troubleshooting, 2-4

V

- vibration specifications, A-2
- video onboard connector, 1-6
- video problems, troubleshooting, 2-5
- visual inspection
 - external, 2-3
 - internal, 2-3

W

- weight of system, maximum, A-1
- width of system, A-1
- Windows Server 2003
 - supported versions, 1-3

